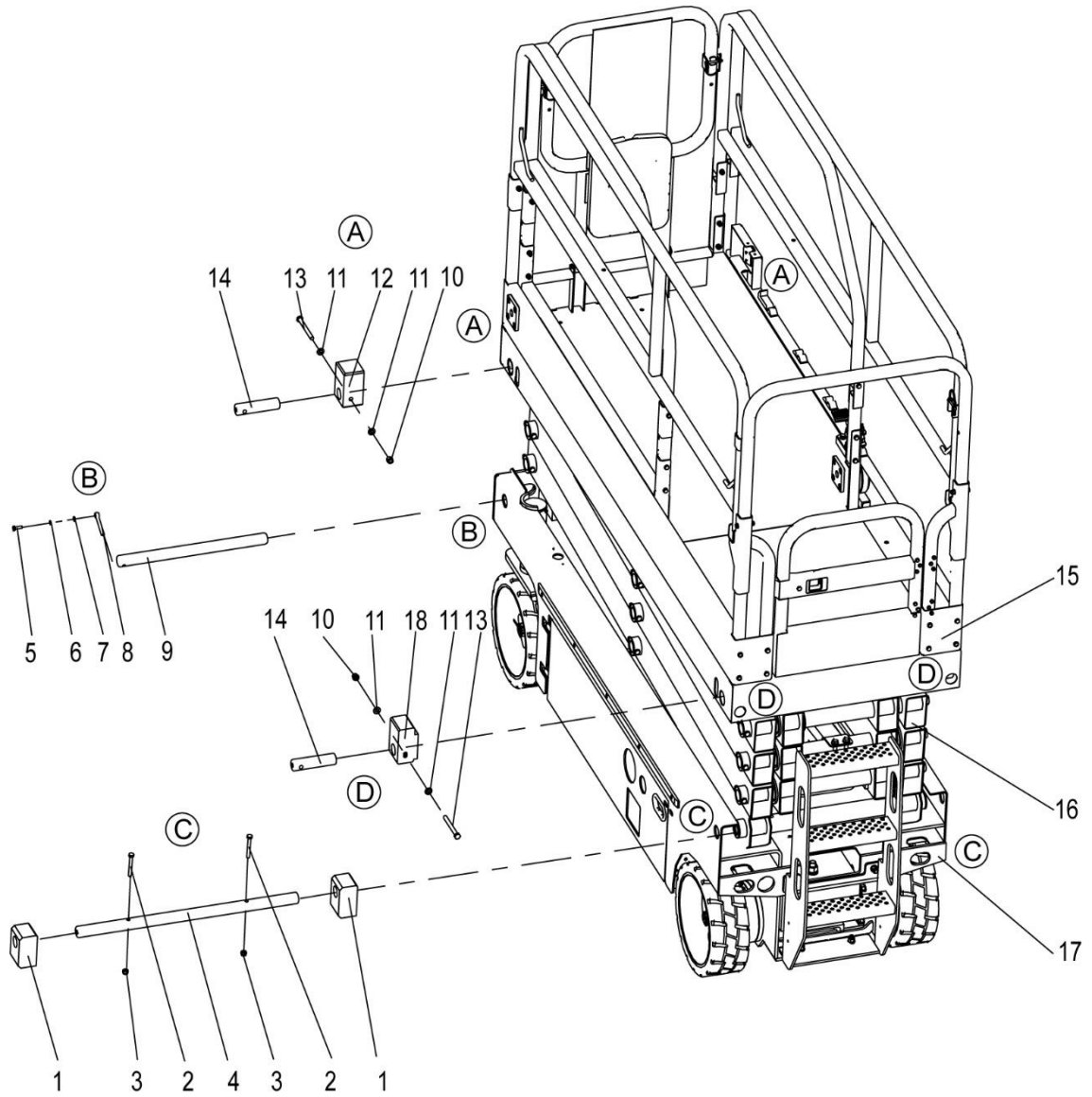


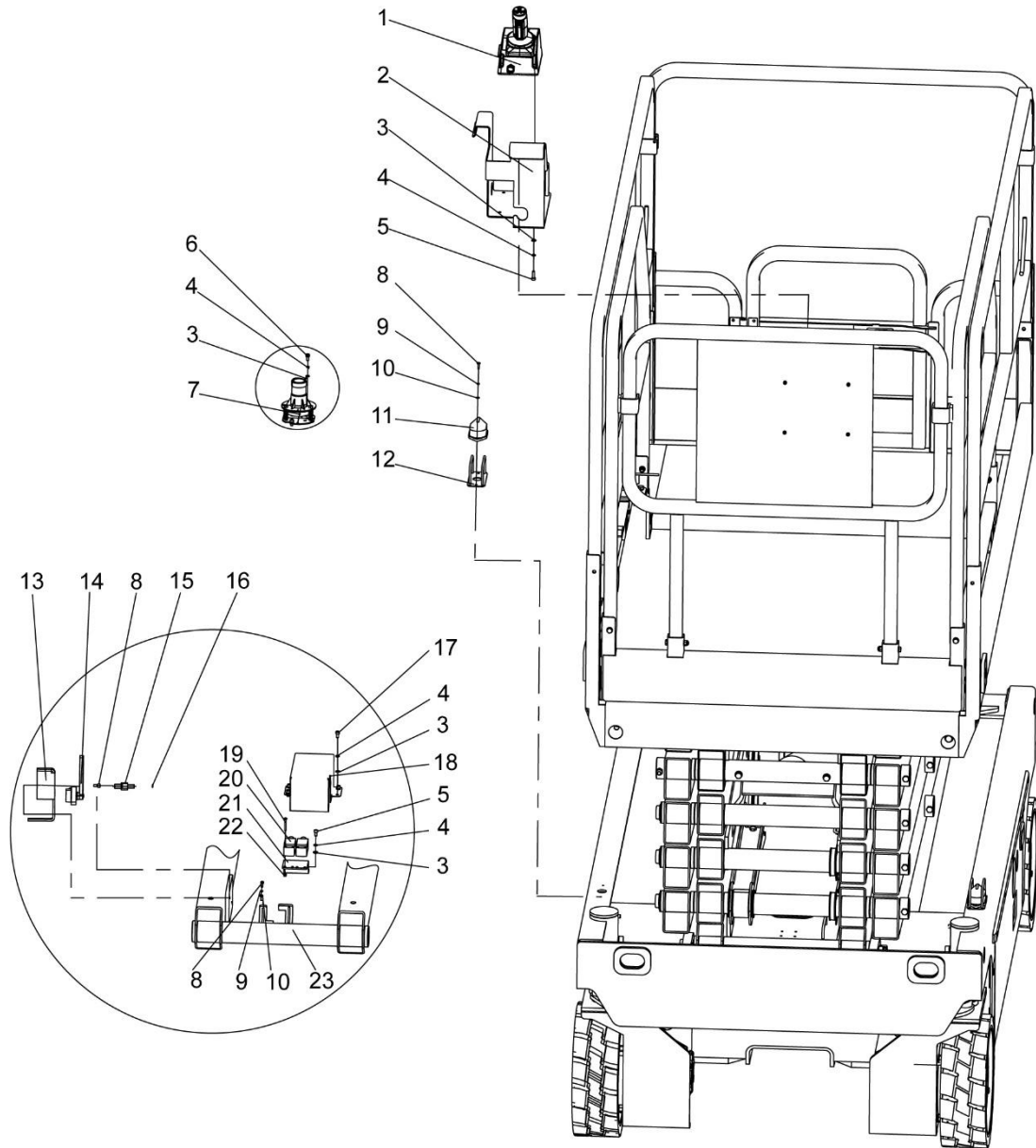
ZS2632 Series Pin Installation



ZS2632 Series Pin Installation

| NO. | Material No. | Item and Spec | Units | Remark |
|-----|------------------|-----------------------|-------|----------------|
| 1 | 0077540000001050 | Lower sliding block I | 2 | |
| 2 | 1040000025 | Bolt M10×80-8.8 | 2 | GB/T5783-2000 |
| 3 | 1040200504 | Nut M10-8 | 2 | GB/T889.1-2000 |
| 4 | 0077540000001040 | Lower sliding axle | 1 | |
| 5 | 1040000288 | Bolt M8×25-8.8 | 1 | GB/T5783-2000 |
| 6 | 1040300063 | Washer 8 | 1 | GB/T93-1987 |
| 7 | 1040300066 | Washer 8 | 1 | GB/T97.1-2002 |
| 8 | 0077560000001050 | Articulated pin | 1 | |
| 9 | 0077540000001020 | Lower stationary axle | 1 | |
| 10 | 1040200507 | Nut M12-8 | 4 | GB/T889.1-2000 |
| 11 | 1040300526 | Washer 12 | 8 | GB/T97.1-2002 |
| 12 | 0077570000001070 | Upper sliding block | 2 | |
| 13 | 1040000807 | Bolt M12×120-8.8 | 4 | GB/T5782-2000 |
| 14 | 0077560000001070 | Upper stationary axle | 4 | |
| 15 | 0077540010000000 | Work platform | 1 | |
| 16 | 0077540030000000 | Scissor arm | 1 | |
| 17 | 0077540280000000 | Chassis (ZS2632HD) | 1 | |
| | 0077540281000000 | Chassis (ZS2632DC) | 1 | |
| | 0077540282000000 | Chassis (ZS2632HD-Li) | 1 | |
| | 0077540284000000 | Chassis (ZS2632DC-Li) | 1 | |
| | 0077540287000000 | Chassis (ZS2632HA-Li) | 1 | |
| | 0077540286000000 | Chassis (ZS2632AC-Li) | 1 | |
| | 0077540289000000 | Chassis (ZS2632HA) | 1 | |
| | 007754028A000000 | Chassis (ZS2632AC) | 1 | |
| 18 | 0077570000001060 | Upper sliding block | 2 | |

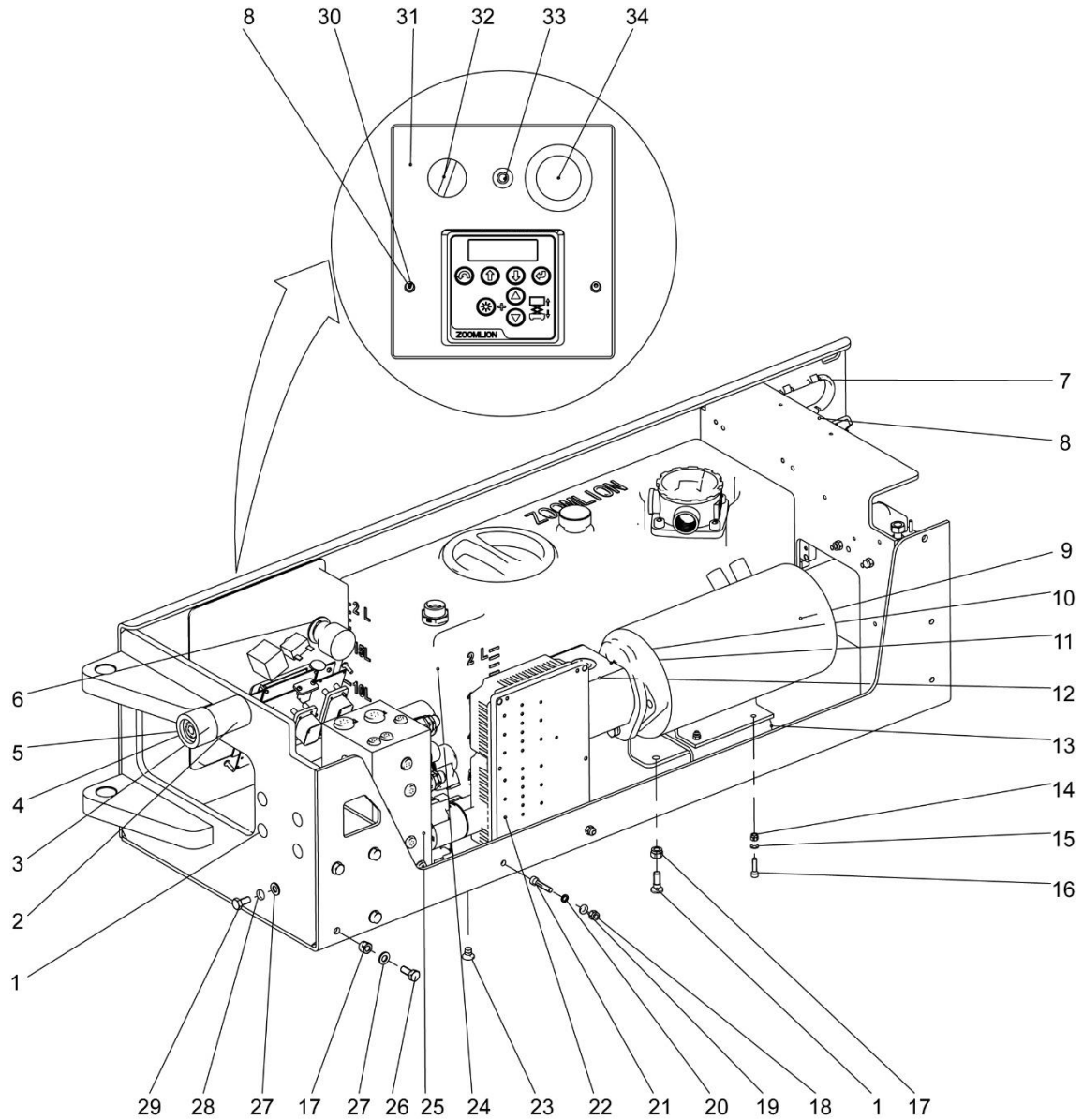
ZS4555/4045/3246/2646/2632/2032/ZS1932/ZS1930 Series Accessory Installation



ZS4555/4045/3246/2646/2632/2032/ZS1932/ZS1930series Accessory Installation

| NO. | Material No. | Item and Spec | Units | Remark |
|-----|-------------------|--|-------|----------------|
| 1 | 1020104278 | Platform control assembly | 1 | |
| 2 | 00775606300410000 | Platform control box | 1 | |
| 3 | 1040300051 | Washer 6 | 13 | GB/T97.1-2002 |
| 4 | 1040300062 | Washer 6 | 13 | GB/T93-1987 |
| 5 | 1040100055 | Screw M6×20-8.8 | 6 | GB/T70.1-2000 |
| 6 | 1040000096 | Bolt M6×12-8.8 | 3 | GB/T5783-2000 |
| 7 | 1021404307 | Inclination switch | 1 | |
| 8 | 1040100618 | Screw M4×16-8.8 | 10 | GB/T818-2000 |
| 9 | 1040300044 | Washer 4 | 8 | GB/T93-1987 |
| 10 | 1040301697 | Washer 4 | 8 | GB/T97.1-2002 |
| 11 | 1029906635 | LED Strobe light | 2 | |
| 12 | 1029906206 | Shield | 2 | |
| 13 | 00775706320601010 | Installation bracket | 1 | |
| | 00775306320601020 | Installation bracket (ZS1932/ZS1930 series) | 1 | |
| 14 | 1021404319 | Angle sensor | 1 | |
| 15 | 00775706320601020 | Screw | 1 | |
| 16 | 1040300067 | Washer10 | 1 | GB/T93-1987 |
| 17 | 1040100127 | Screw M6×12-8.8 | 4 | GB/T70.1-2000 |
| 18 | 00775706300201020 | Limit guard | 1 | |
| | 00775306320201020 | Limit guard (ZS1932/ZS1930 series) | 1 | |
| 19 | 1040102716 | Screw M4×35 | 4 | GB/T70.1-2000 |
| 20 | 1020520944 | Limit switch | 2 | |
| 21 | 00775706300201010 | Limit bracket | 1 | |
| | 00775306320201010 | Limit bracket (ZS1932/ZS1930 series) | 1 | |
| 22 | 1040201605 | Locknut M4-8 | 4 | GB/T889.1-2000 |
| 23 | 00775600000001030 | Limit block | 2 | |
| | 00775300000011070 | Limit block (ZS1932/ZS1930 series) | 2 | |

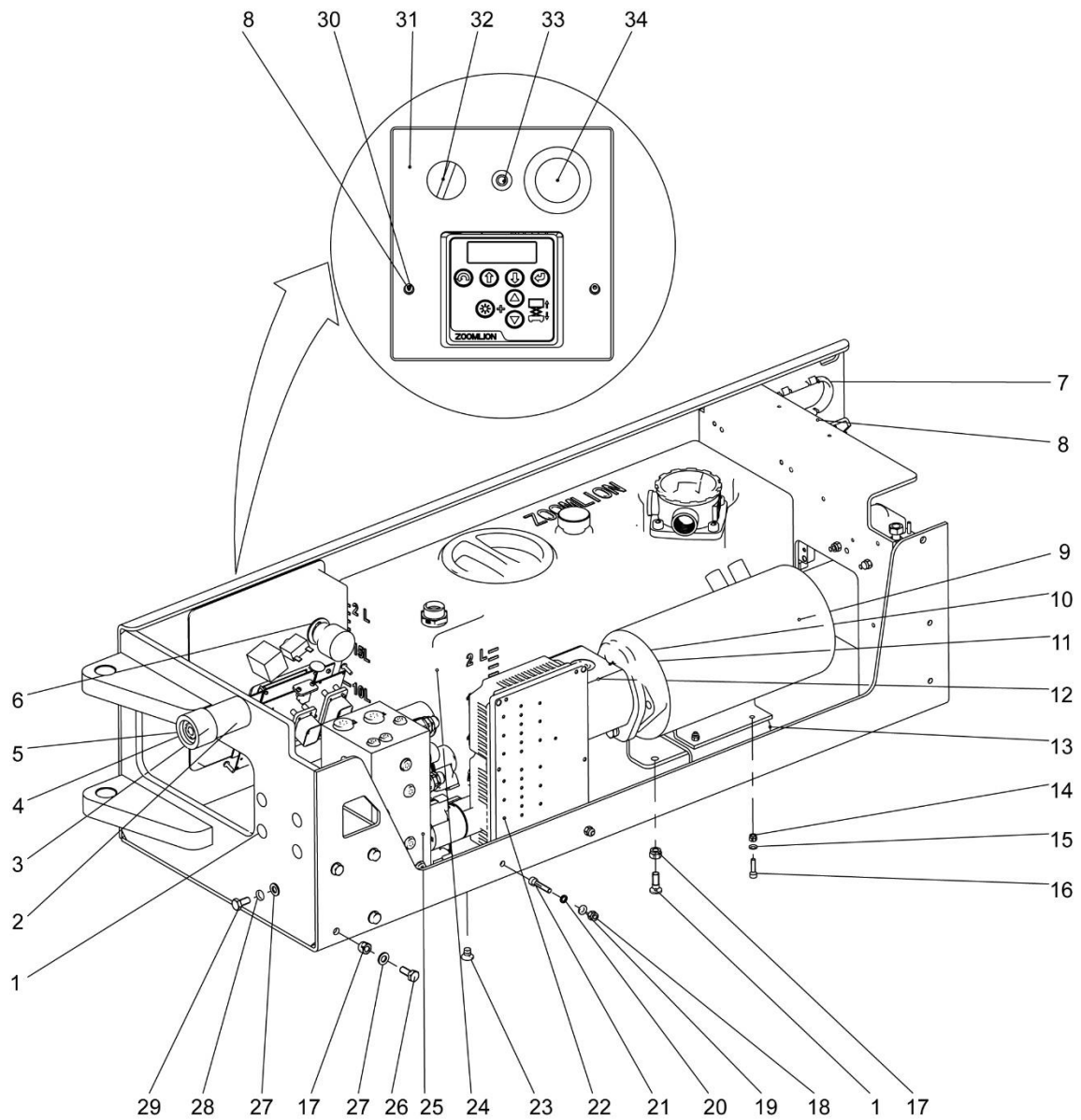
ZS2632AC Series Hydraulic Tray 1



ZS2632AC Series Hydraulic Tray 1

| NO. | Material No. | Item and Spec | Units | Remark |
|-----|-------------------|--|-------|-----------------------------------|
| 1 | 1040102356 | Screw M8×25-8.8 | 8 | GB/T70.3-2000 |
| 2 | 00775602800601010 | Limited post | 1 | |
| 3 | 00775602800601030 | Cushion rubber | 1 | |
| 4 | 1040100519 | Screw M12×80-8.8 | 1 | GB/T70.1-2000 |
| 5 | 1040300054 | Washer 12 | 1 | GB/T93-1987 |
| 6 | 00775606300201030 | Key switch gasket | 1 | |
| 7 | 00775602801601040 | Protecting bush II | 1 | |
| 8 | 00775602860210000 | Hydraulic Tray box | 1 | |
| 9 | 1020005472 | Hydraulic pump drive motor 24V, 3.3KW | 1 | |
| 10 | 1040300067 | Washer 10 | 2 | GB/T93-1987 |
| 11 | 1040004607 | Bolt 3/8-24UNF-1-10. | 2 | ASME B18.2.1-2010 |
| 12 | 1010001885 | Hydraulic pump | 1 | 4cc-PGP505A0040 AA1H2ND4D4B1B1 |
| 13 | 00775602800601020 | Motor support | 1 | |
| 14 | 1040200867 | Nut M5 | 4 | GB/T889.1-2000 |
| 15 | 1040300048 | Washer 5-200HV | 6 | GB/T97.1-2002 |

ZS2632AC Series Hydraulic Tray 1

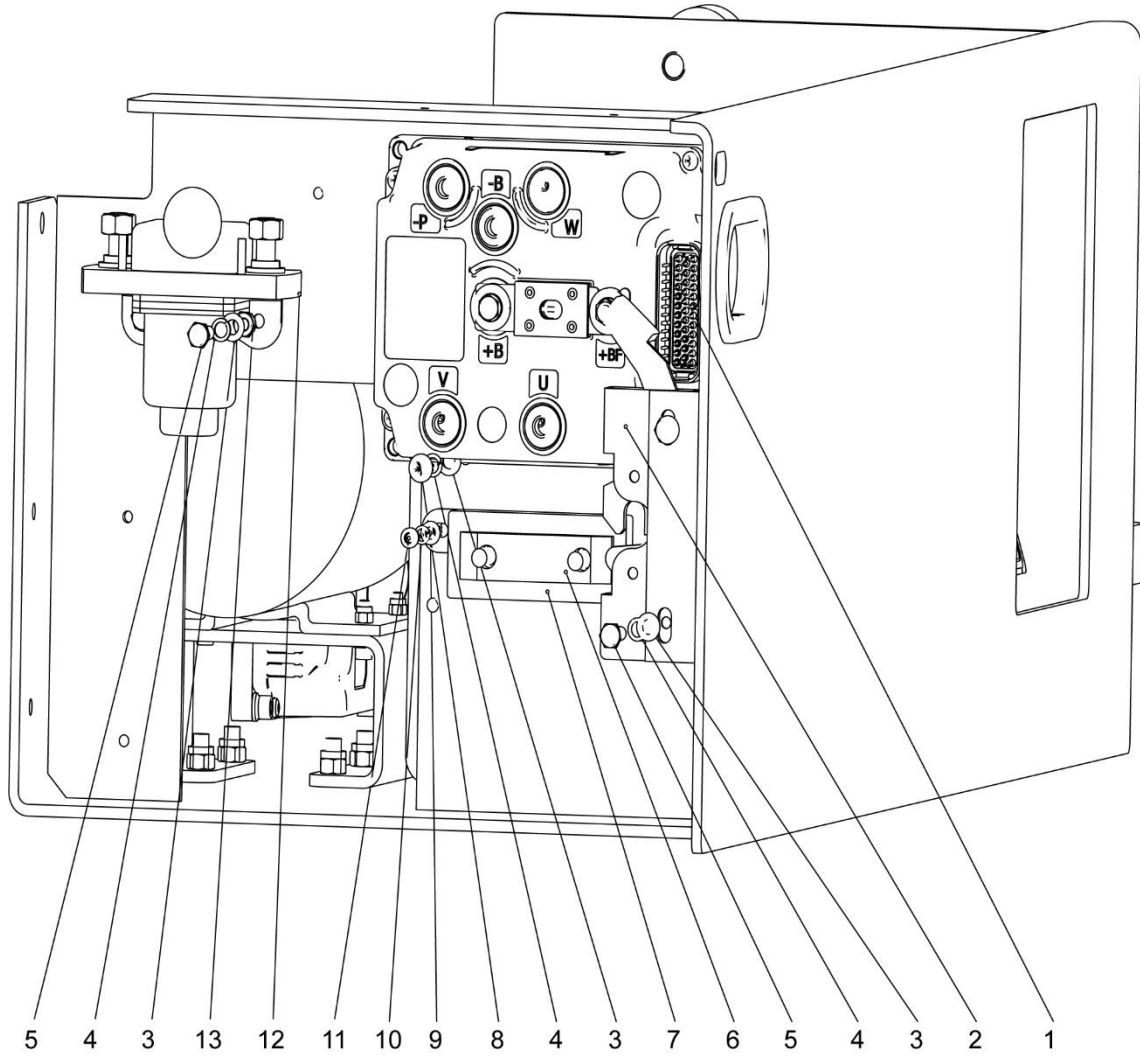


ZS2632AC Series Hydraulic Tray 1

| NO. | Material No. | Item and Spec | Units | Remark |
|-----|--------------|--------------------------------|-------|----------------|
| 16 | 1040100378 | Screw M5×20-8.8 | 4 | GB/T70.1-2000 |
| 17 | 1040200503 | Nut M8-8 | 8 | GB/T889.1-2000 |
| 18 | 1040200506 | Nut M6-8 | 2 | GB/T889.1-2000 |
| 19 | 1040300051 | Washer 6-200HV | 2 | GB/T97.1-2002 |
| 20 | 1040300062 | Washer 6 | 1 | GB/T93-1987 |
| 21 | 1040100237 | Screw M6×30-8.8 | 2 | GB/T70.1-2000 |
| 22 | 1020104319 | Motor driver | 1 | |
| 23 | 1040101606 | Screw M8×12-8.8 | 4 | GB/T70.3-2000 |
| 24 | 1011300151 | Tank | 1 | |
| 25 | 1010306187 | Control valve (ZS2632AC) | 1 | |
| | 1010306289 | Control valve (ZS2632AC-Li) | 1 | |
| 26 | 1040000267 | Bolt M8×20-8.8 | 6 | GB/T5783-2000 |
| 27 | 1040300066 | Washer 8-200HV | 8 | GB/T97.1-2002 |
| 28 | 1040300063 | Washer 8 | 4 | GB/T93-1987 |
| 29 | 1040004517 | Bolt M8×16-8.8 | 4 | GB/T5783-2000 |
| 30 | 1029804041 | Screw M4×25-4.8 | 2 | GB/T70.1-2000 |
| 31 | 1020104088 | Ground control assembly | 1 | |
| 32 | 1020521389 | Key switch | 1 | |
| 33 | 1020304979 | Breaker | 1 | |
| 34 | 1020502039 | Emergency stop button | 1 | |

ZS2632AC(HA) Series Hydraulic Tray 2

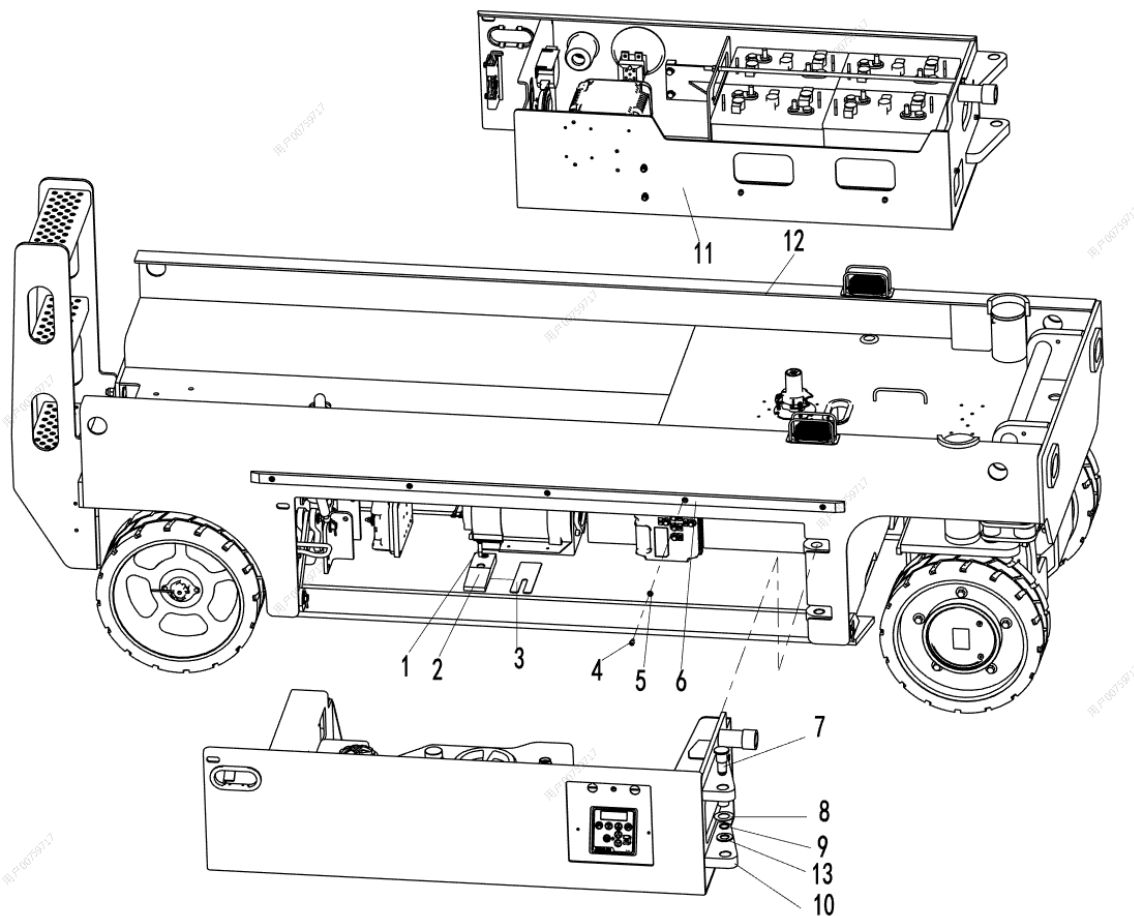
CHASSIS



ZS2632AC/HA Hydraulic Tray 2

| NO. | Material No. | Item and Spec | Units | Remark |
|-----|--------------|---------------------|-------|----------------|
| 1 | 1020104201 | Motor driver | 1 | |
| 2 | 1109900765 | Hydraulic door lock | 1 | 1109900765 |
| 3 | 1040300051 | Washer 6-200HV | 8 | GB/T97.1-2002 |
| 4 | 1040300062 | Washer 6 | 8 | GB/T93-1987 |
| 5 | 1040000076 | Bolt M6×25-8.8 | 2 | GB/T5783-2000 |
| 6 | 1020605230 | Flat fuse | 1 | |
| 7 | 1020604246 | Fuse holder | 1 | |
| 8 | 1040100620 | Screw M6×16 | 4 | GB/T818-2000 |
| 9 | 1040300048 | Washer 5-200HV | 6 | GB/T97.1-2002 |
| 10 | 1040300060 | Washer 5 | 2 | GB/T93-1987 |
| 11 | 1040102341 | Screw M5×12-8.8 | 2 | GB/T70.1-2000 |
| 12 | 1020304603 | Contacto | 1 | |
| 13 | 1040200506 | Nut M6-8 | 2 | GB/T889.1-2000 |

ZS2632/ZS2032 Series Chassis Tray

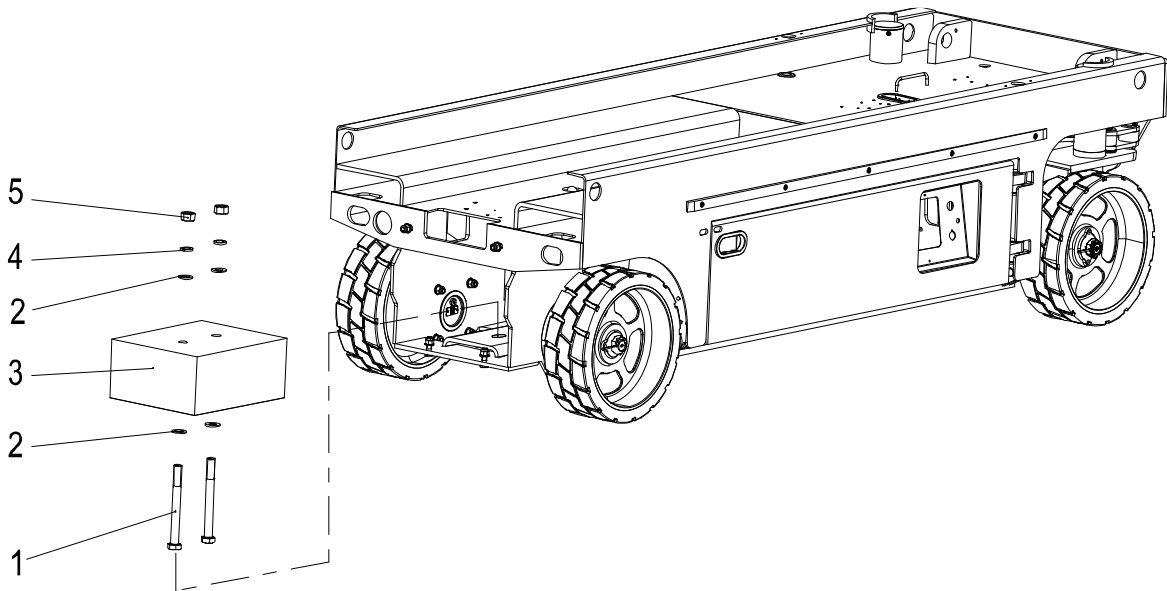


ZS2632/ZS2032 Series Chassis Tray

| NO. | Material No. | Item and Spec | Units | Remark |
|-----|-------------------|---|-------|----------------|
| 1 | 1040102717 | Screw M8×40 | 4 | GB/T70.3-2000 |
| 2 | 00775602800001140 | Nylon spacer | 2 | |
| 3 | 00775602800001200 | Adjustable pad | 4 | |
| 4 | 1040100127 | Screw M6×12-8.8 | 10 | GB/T70.1-2000 |
| 5 | 1040300051 | Washer 6 | 10 | GB/T97.1-2002 |
| 6 | 00775602800001120 | Side bumper stripe | 2 | |
| 7 | 00775302800001100 | Tray pin I | 4 | |
| 8 | 00775602800001010 | Copper washer | 4 | |
| 9 | 1040300167 | Retaining ring 20 | 4 | GB/T894.1-1986 |
| 10 | 00775402800800000 | Hydraulic Tray (ZS2632HD/ZS2032HD series) | 1 | |
| | 00775402810400000 | Hydraulic Tray (ZS2632DC/ZS2032DC series) | 1 | |
| | 00775602860200000 | Hydraulic Tray (ZS2632HA/AC series) | 1 | |
| 11 | 00775502800200000 | Battery Tray (ZS2632HD/DC/HA/AC ZS2032HD/DC) | 1 | |
| | 00775402821000000 | Battery Tray (ZS2632HD-Li/DC-Li/ ZS2032HD-Li/DC-Li/ ZS2632HA-Li/AC-Li) | 1 | |
| 12 | 00775402800200000 | Frame | 1 | |
| | 00775402840200000 | Frame (ZS2632DC-Li/AC-Li ZS2032DC-Li) | 1 | |
| 13 | 1040300106 | Washer 20 | 4 | GB/T97.1-2002 |

ZS2632/ZS2032 Series Chassis Counterweight

CHASSIS

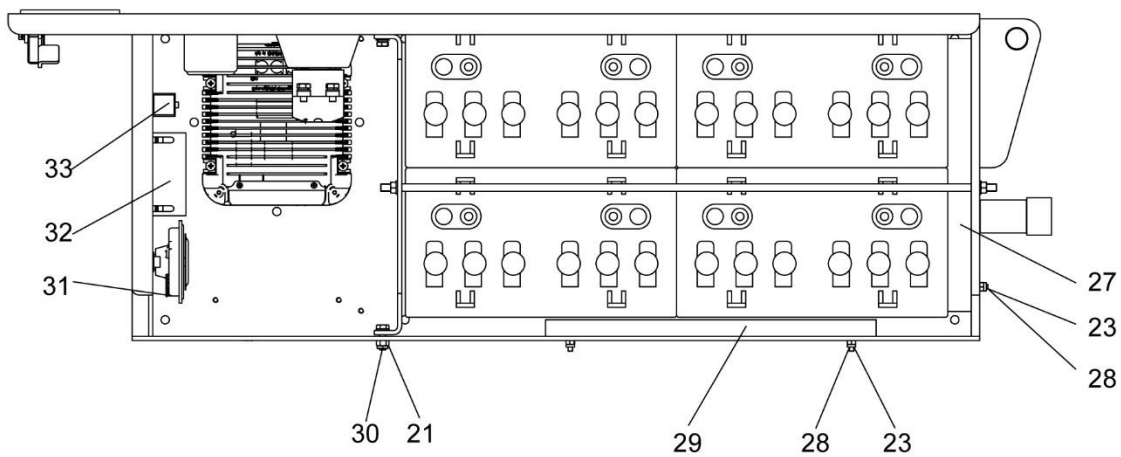
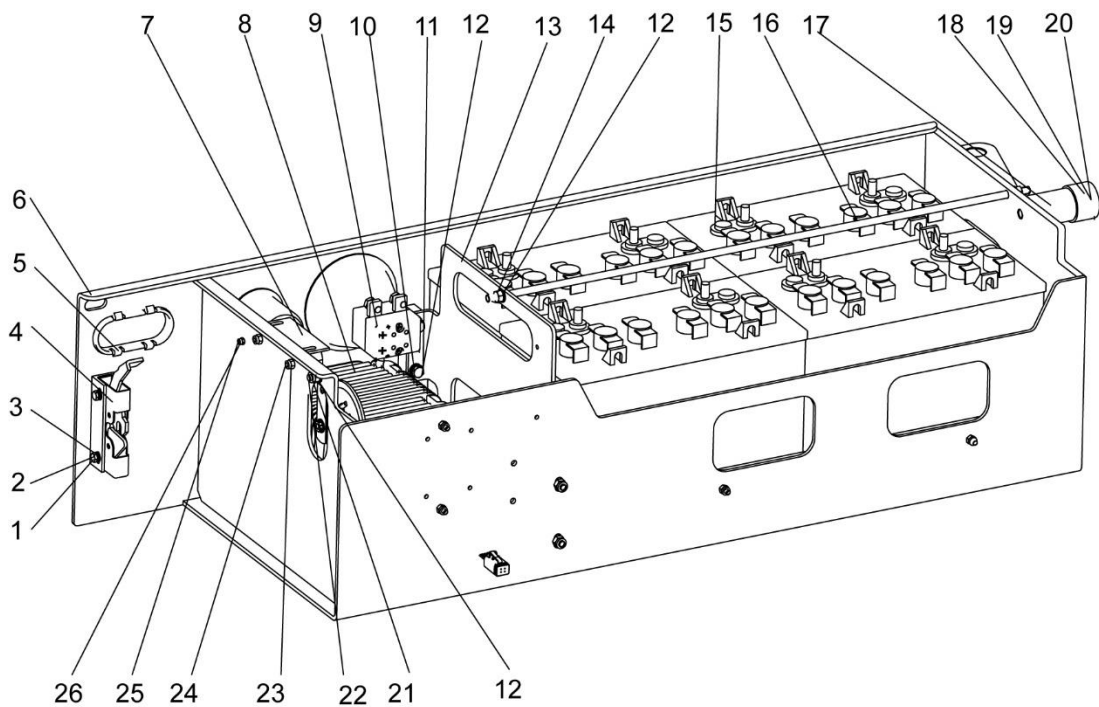


ZS2632/ZS2032 Series Chassis Counterweight

| NO. | Material No. | Item and Spec | Units | Remark |
|------------|---------------------|----------------------|--------------|---------------|
| 1 | 1040000202 | Bolt M20×200-8.8 | 2 | GB/T5783-2000 |
| 2 | 1040300106 | Washer 20 | 4 | GB/T97.1-2002 |
| 3 | 00775402800001070 | Steel CTW | 1 | |
| 4 | 1040300038 | Washer 20 | 2 | GB/T93-1987 |
| 5 | 1040200097 | Nut M20-8 | 2 | GB/T6170-2000 |

ZS2632/ZS2032DC(HA/AC) Battery Tray

CHASSIS

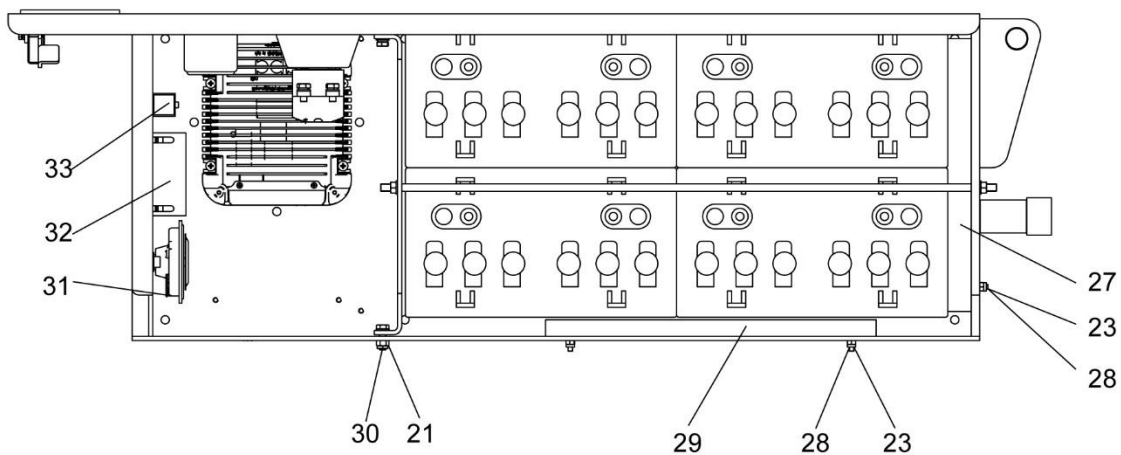
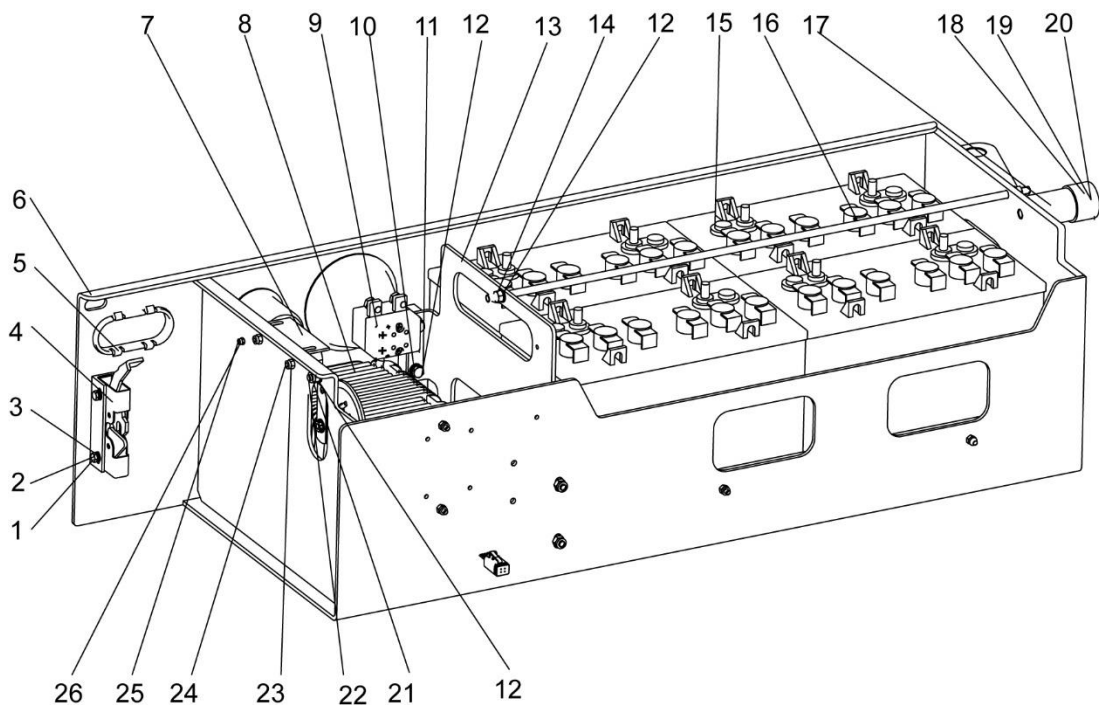


ZS2632/ZS2032DC(HA/AC) Battery Tray

| NO. | Material No. | Item and Spec | Units | Remark |
|-----|-------------------|---------------------------------|-------|---------------|
| 1 | 1040000076 | Bolt M6×25-8.8 | 2 | GB/T5783-2000 |
| 2 | 1040300062 | Washer 6 | 8 | GB/T93-1987 |
| 3 | 1040300051 | Washer 6 | 8 | GB/T97.1-2002 |
| 4 | 1109900766 | Battery door lock | 1 | |
| 5 | 00775602801601040 | Protecting bush II | 1 | |
| 6 | 00775602801620000 | Battery Tray box | 1 | |
| 7 | 00775602801601010 | Coil III | 1 | |
| 8 | 1029907622 | Vehicle-mounted battery charger | 1 | |
| 9 | 1020521277 | Main power switch | 1 | |
| 10 | 1040000267 | Bolt M8×20-8.8 | 2 | GB/T5783-2000 |
| 11 | 1040300063 | Washer 8 | 2 | GB/T93-1987 |
| 12 | 1040300066 | Washer 8 | 5 | GB/T97.1-2002 |
| 13 | 00775502800220000 | Middle plate | 1 | |
| 14 | 1040201078 | Nut M8 | 2 | GB/T6170-2000 |
| 15 | 1020999049 | Battery | 4 | |
| 16 | 00775502800201010 | Threaded rod | 1 | |
| 17 | 00775602800601010 | Limited post | 1 | |
| 18 | 00775602800601030 | Cushion rubber | 1 | |
| 19 | 1040100519 | Screw M12×80-8.8 | 1 | GB/T70.1-2000 |
| 20 | 1040300054 | Washer 12 | 1 | GB/T93-1987 |

ZS2632/ZS2032DC(HA/AC) Battery Tray

CHASSIS

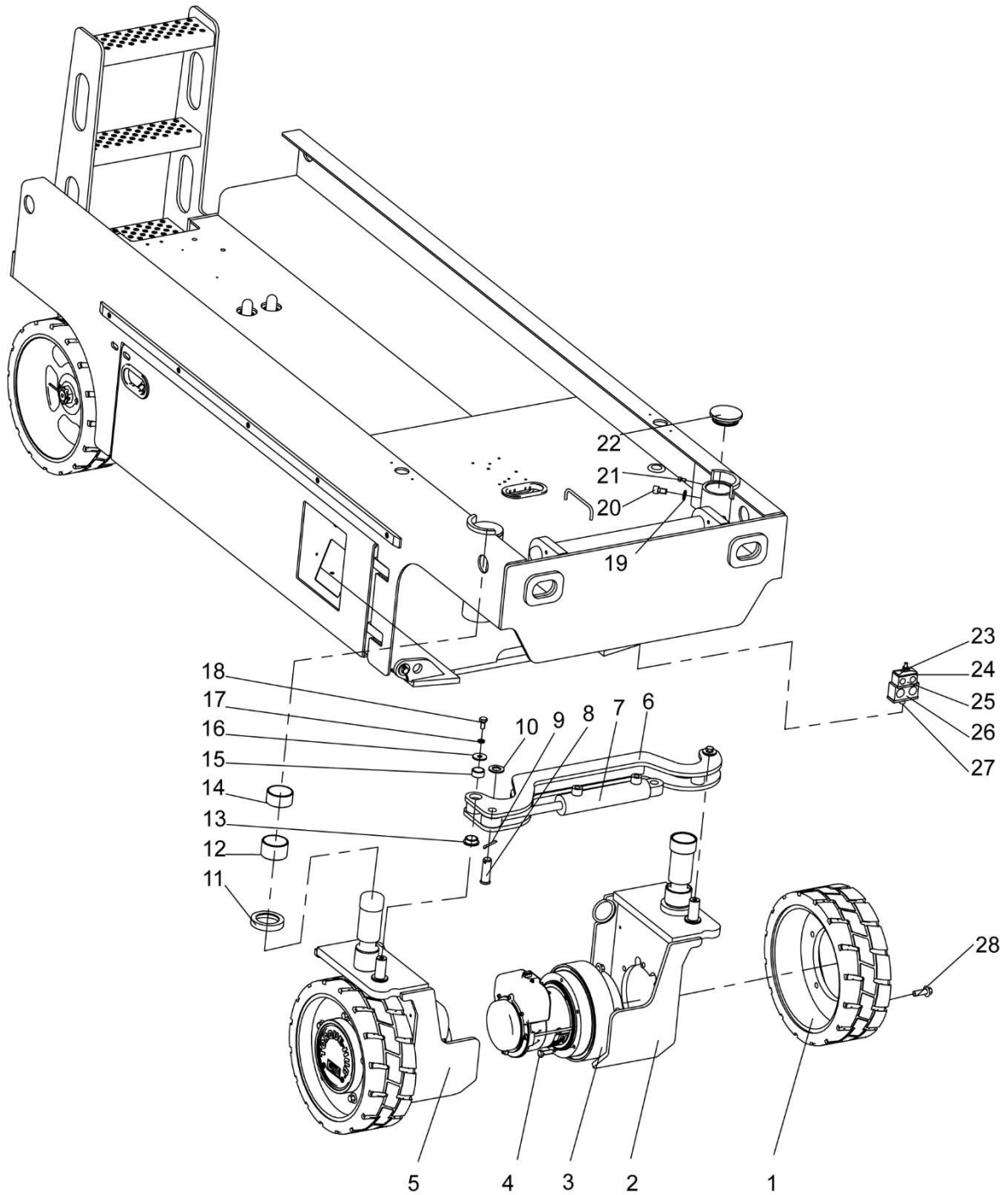


ZS2632/ZS2032DC(HA/AC) Battery Tray

| NO. | Material No. | Item and Spec | Units | Remark |
|-----|-------------------|--|-------|----------------|
| 21 | 1040200503 | Nut M8 | 3 | GB/T889.1-2000 |
| 22 | 1040100886 | Screw M8×20 | 1 | GB/T70.1-2008 |
| 23 | 1040200506 | Nut M6-8 | 8 | GB/T889.1-2000 |
| 24 | 1040100055 | Screw M6×20-8.8 | 2 | GB/T70.1-2000 |
| 25 | 1040201605 | Locknut M4-8 | 1 | GB/T889.1-2000 |
| 26 | 1040102716 | Screw M4×35 | 1 | GB/T70.1-2000 |
| 27 | 00775602801601050 | Limit plate I | 1 | |
| 28 | 1040100237 | Screw M6×30-8.8 | 6 | GB/T70.1-2000 |
| 29 | 00775602801601060 | Limit plate II | 1 | |
| 30 | 1040000288 | Bolt M8×25-8.8 | 1 | GB/T5783-2000 |
| 31 | 1020304978 | Basin shaped horn | 1 | |
| 32 | 1020304982 | Buzzer | 1 | |
| 33 | 1020300083 | Common relay (ZS2632HD/DC ZS2032HD/DC) | 1 | |
| | 1020305334 | Common relay (ZS2632HA/AC) | 1 | |

ZS2632/ZS2032DC(AC) Front-wheel Steering System

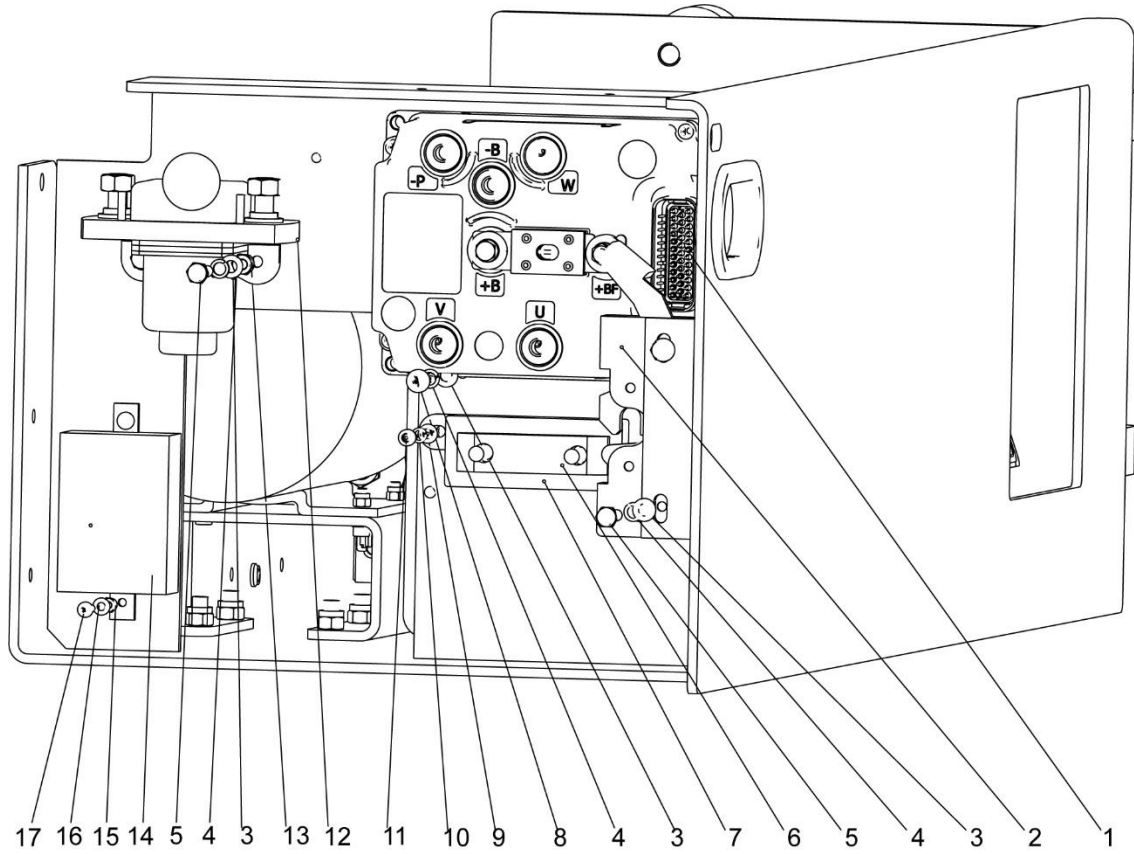
CHASSIS



ZS2632/ZS2032DC(AC) Front-wheel Steering System

| NO. | Material No. | Item and Spec | Units | Remark |
|-----|-------------------|------------------------------------|-------|------------------|
| 1 | 1030800580 | Tire | 2 | |
| 2 | 00775402810600000 | Left steering wheel carrier | 1 | |
| 3 | 1020005625 | Electric machinery (ZS2632AC) | 2 | |
| | 1020005637 | Electric machinery (ZS2632/2032DC) | 2 | |
| 4 | 1040000970 | Bolt 3/8-16UNC-30-8.8 | 12 | GB/T5786-2000 |
| 5 | 00775402810800000 | Right steering wheel carrier | 1 | |
| 6 | 00775402802000000 | Steering linkage | 1 | |
| 7 | 1010201406 | Steering cylinder | 1 | |
| 8 | 1040500034 | Pin B20×60 | 2 | GB/T882-1986 |
| 9 | 1040500394 | Split pin 5×40 | 2 | GB/T91-2000 |
| 10 | 1040300106 | Washer 20 | 2 | GB/T97.1-2002 |
| 11 | 00775602800001050 | Wearing ring | 2 | |
| 12 | 1054400312 | Composite bush 57×63×38 | 2 | |
| 13 | 1054400313 | Composite bush 25×30×12.5 | 2 | |
| 14 | 1054400315 | Composite bush 57×63×30 | 2 | |
| 15 | 1054400314 | Composite bush 25×30×15 | 2 | |
| 16 | 1040301847 | Washer 10 | 2 | GB/T5287-1985 |
| 17 | 1040300067 | Washer 10 | 2 | GB/T93-1987 |
| 18 | 1040000116 | Bolt M10×20-8.8 | 2 | GB/T5783-2000 |
| 19 | 1040300526 | Washer 12 | 2 | GB/T97.1-2002 |
| 20 | 1040100157 | Screw M12×20-8.8 | 2 | GB/T70.1-2000 |
| 21 | 1040100127 | Screw M6×12-8.8 | 2 | GB/T70.1-2000 |
| 22 | 00775602800001040 | End cover | 2 | |
| 23 | 1040200503 | Nut M8-8 | 1 | GB/T889.1-2000 |
| 24 | 1990201348 | Cover plate | 1 | |
| 25 | 1019901543 | Twin tube clamp | 1 | |
| 26 | 1990201778 | Twin tube clamp | 1 | |
| 27 | 1040100501 | Screw M8×100-8.8 | 1 | GB/T70.1-2000 |
| 28 | 1040005784 | Bolt M12×1.5×35-8.8 | 10 | GB/T16674.2-2004 |

ZS2632/ZS2032DC Series Hydraulic Tray 2

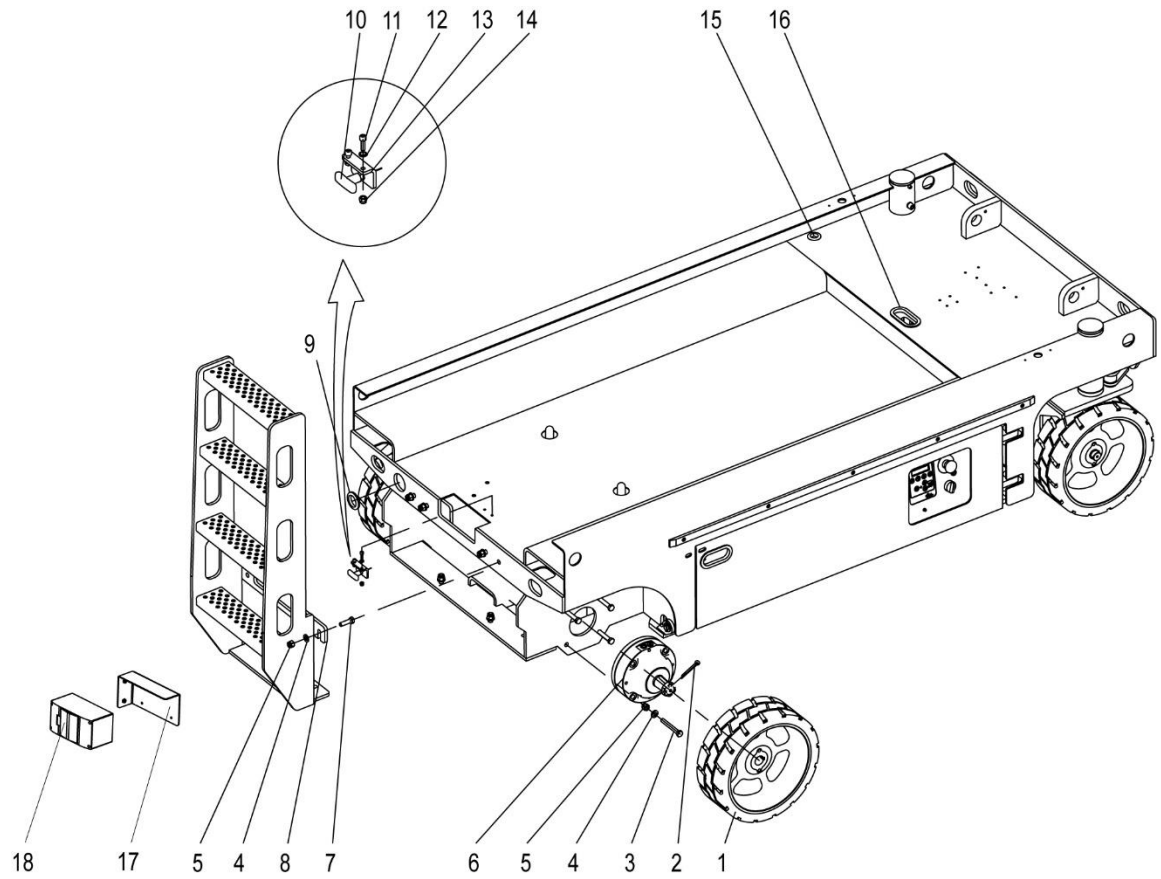


CHASSIS

ZS2632/ZS2032DC Series Hydraulic Tray 2

| NO. | Material No. | Item and Spec | Units | Remark |
|-----|--------------|--------------------------|-------|----------------|
| 1 | 1020005175 | Motor driver | 1 | |
| 2 | 1109900765 | Hydraulic door lock | 1 | 1109900765 |
| 3 | 1040300051 | Washer 6-200HV | 8 | GB/T97.1-2002 |
| 4 | 1040300062 | Washer 6 | 8 | GB/T93-1987 |
| 5 | 1040000076 | Bolt M6×25-8.8 | 2 | GB/T5783-2000 |
| 6 | 1020605230 | Flat fuse | 1 | |
| 7 | 1020604246 | Fuse holder | 1 | |
| 8 | 1040100620 | Screw M6×16 | 4 | GB/T818-2000 |
| 9 | 1040300048 | Washer 5-200HV | 6 | GB/T97.1-2002 |
| 10 | 1040300060 | Washer 5 | 2 | GB/T93-1987 |
| 11 | 1040102341 | Screw M5×12-8.8 | 2 | GB/T70.1-2000 |
| 12 | 1020304603 | Contactator | 1 | |
| 13 | 1040200506 | Nut M6-8 | 2 | GB/T889.1-2000 |
| 14 | 1020605226 | Follow current protector | 1 | |
| 15 | 1040201605 | Locknut M4-8 | 2 | GB/T889.1-2000 |
| 16 | 1040301697 | Washer 4-160HV | 2 | GB/T97.1-2002 |
| 17 | 1040100618 | Screw M4×16-8.8 | 2 | GB/T818-2000 |

ZS2632/ZS2032DC(AC) Series Ladder

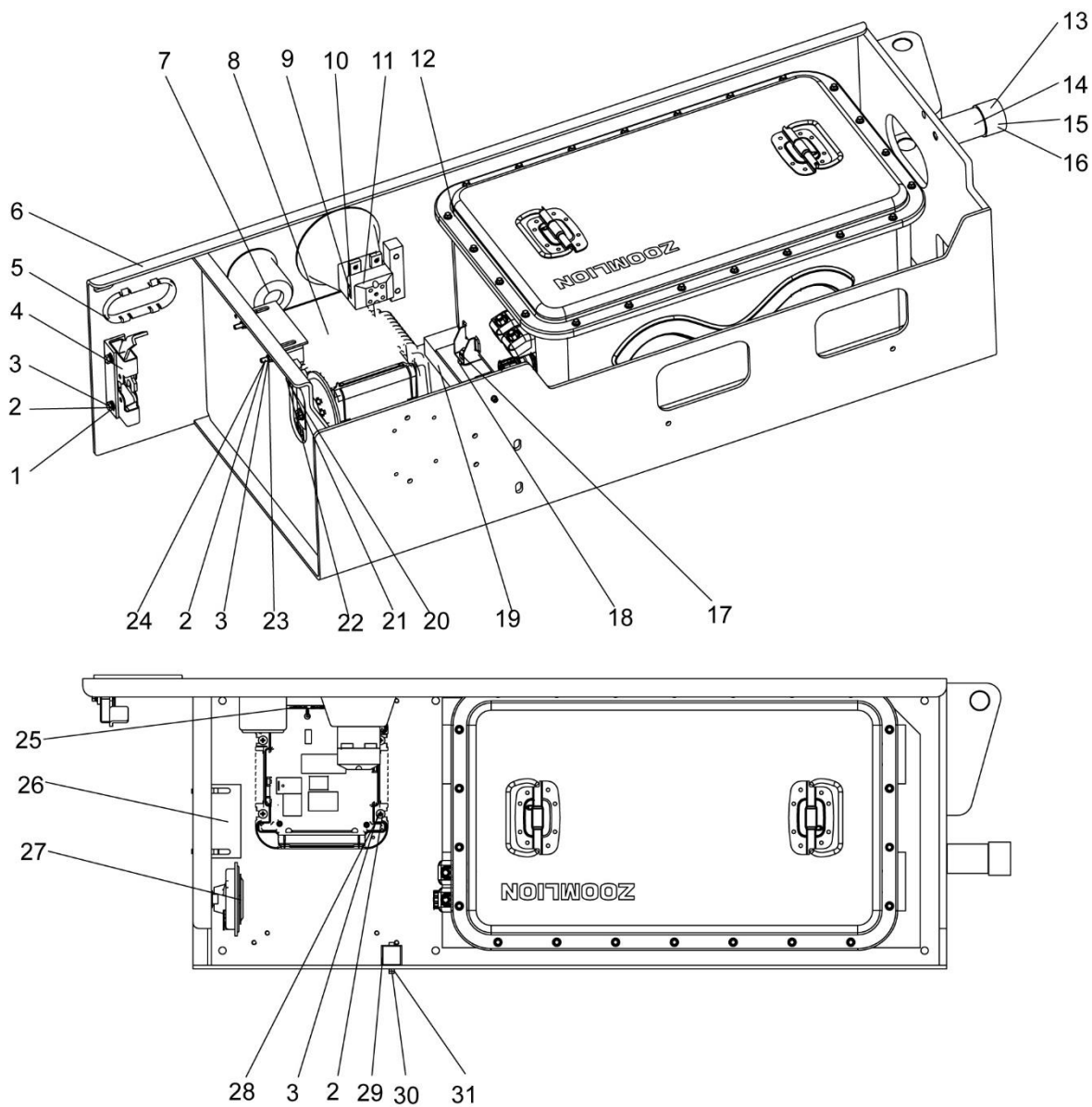


ZS2632/ZS2032DC(AC) Series Ladder

| NO. | Material No. | Item and Spec | Units | Remark |
|-----|-------------------|----------------------------------|-------|----------------|
| 1 | 1030800538 | Tire | 2 | |
| 2 | 1040500535 | Split pin 4×80 | 2 | GB/T91-2000 |
| 3 | 1040000225 | Bolt M12×90-8.8 | 8 | GB/T5783-2000 |
| 4 | 1040300526 | Washer 12 | 14 | GB/T97.1-2002 |
| 5 | 1040200507 | Nut M12-8 | 14 | GB/T889.1-2000 |
| 6 | 1059900526 | Brake | 2 | |
| 7 | 1040004201 | Bolt M12×40-8.8 | 6 | GB/T801-1998 |
| 8 | 00775402801800000 | Ladder | 1 | |
| 9 | 00775602801601010 | Coil III | 1 | |
| 10 | 1100700162 | T handle (Red) | 1 | |
| 11 | 1040100055 | Screw M6×20-8.8 | 2 | GB/T70.1-2000 |
| 12 | 1040300051 | Washer 6 | 2 | GB/T97.1-2002 |
| 13 | 00775605200401030 | Lower stay wire bracket | 1 | |
| 14 | 1040200506 | Nut M6-8 | 2 | GB/T889.1-2000 |
| 15 | 00775602800001180 | Coil II | 2 | |
| 16 | 00775602801601040 | Protecting bush II | 1 | |
| 17 | 00775302802400000 | Box holder | 1 | |
| 18 | 1020605443 | Residual current circuit breaker | 1 | |

ZS2632/ZS2032DC(HA/AC)-Li Battery Tray

CHASSIS

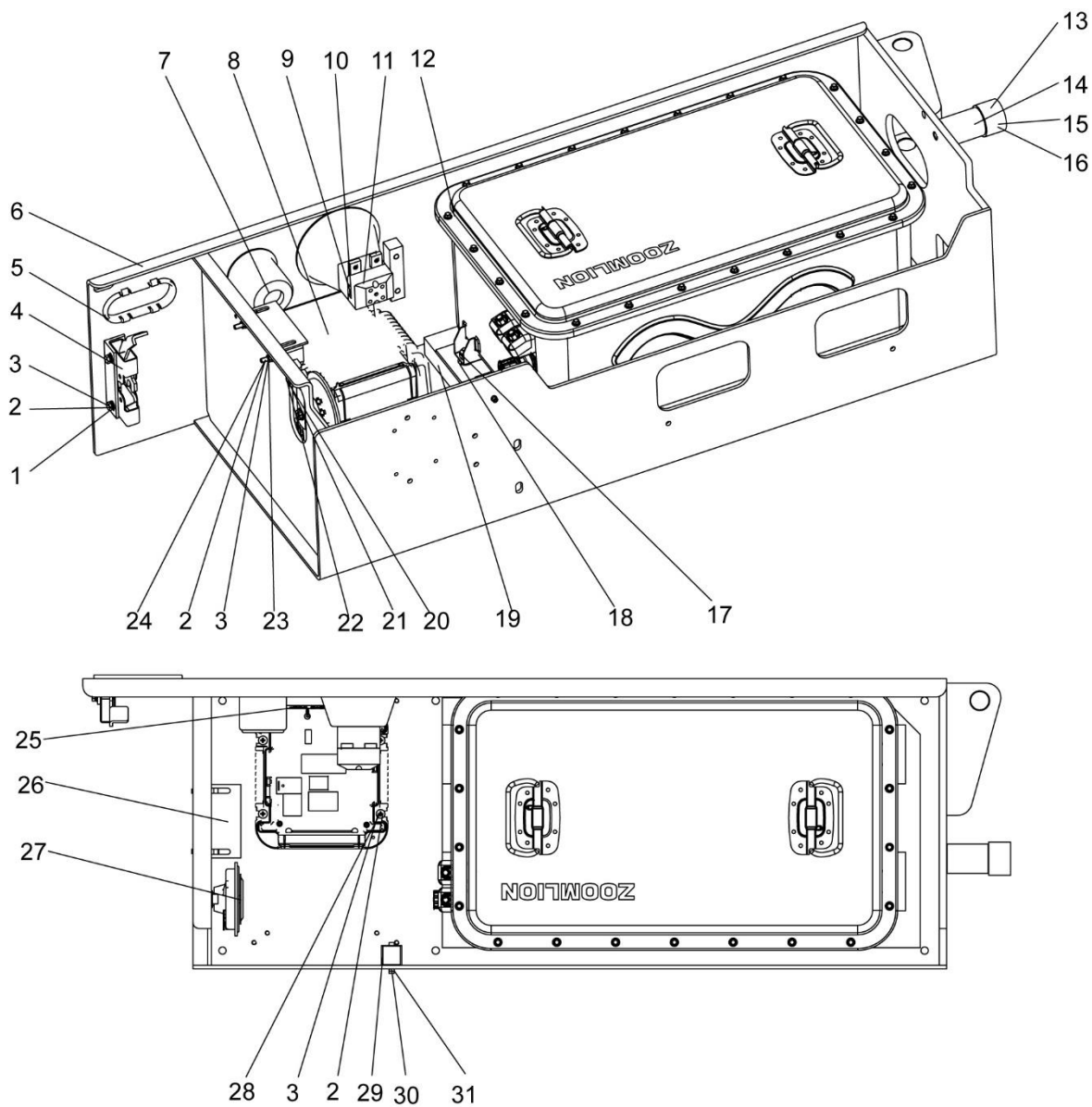


ZS2632/ZS2032DC(HA/AC)-Li Battery Tray

| NO. | Material No. | Item and Spec | Units | Remark |
|-----|-------------------|---------------------------------|-------|---------------|
| 1 | 1040000076 | Bolt M6×25-8.8 | 2 | GB/T5783-2000 |
| 2 | 1040300062 | Washer 6 | 8 | GB/T93-1987 |
| 3 | 1040300051 | Washer 6 | 8 | GB/T97.1-2002 |
| 4 | 1109900766 | Battery door lock | 1 | |
| 5 | 00775602801601040 | Protecting bush II | 1 | |
| 6 | 00775602801620000 | Battery Tray box | 1 | |
| 7 | 00775602801601010 | Coil III | 1 | |
| 8 | 1029907623 | Vehicle-mounted battery charger | 1 | |
| 9 | 1040300060 | Washer 5 | 2 | GB/T93-1987 |
| 10 | 1040102341 | Screw M5×12-8.8 | 2 | GB/T70.1-2000 |
| 11 | 1020521277 | Main power switch | 1 | |
| 12 | 1020999016 | Battery | 1 | |
| 13 | 00775602800601030 | Cushion rubber | 1 | |
| 14 | 00775602800601010 | Limited post | 1 | |
| 15 | 1040100519 | Screw M12×80-8.8 | 1 | GB/T70.1-2000 |
| 16 | 1040300054 | Washer 12 | 1 | GB/T93-1987 |
| 17 | 1040003761 | Bolt M6×25-8.8 | 4 | GB/T5783-2000 |
| 18 | 00775602820201070 | Rubber Washer | 4 | |
| 19 | 00775602820201080 | Counterweight | 1 | |
| 20 | 1040100886 | Screw M8×20 | 1 | GB/T70.1-2000 |

ZS2632/ZS2032DC(HA/AC)-Li Battery Tray

CHASSIS

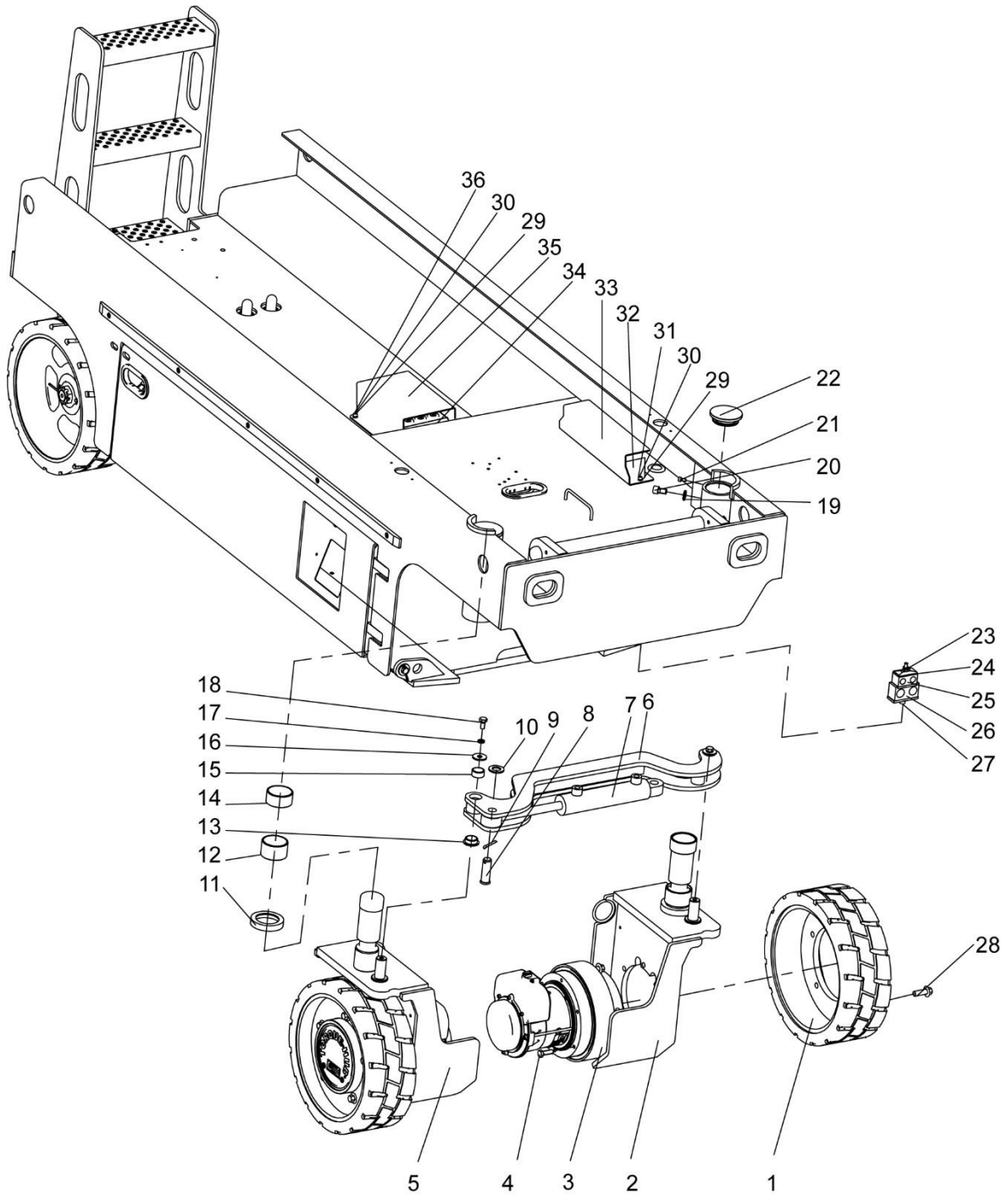


ZS2632/ZS2032DC(HA/AC)-Li Battery Tray

| NO. | Material No. | Item and Spec | Units | Remark |
|-----|-------------------|---|-------|----------------|
| 21 | 1040200503 | Nut M8 | 1 | GB/T889.1-2000 |
| 22 | 1040300066 | Washer 8 | 1 | GB/T97.1-2002 |
| 23 | 1040200506 | Nut M6-8 | 4 | GB/T889.1-2000 |
| 24 | 1040100237 | Screw M6×30-8.8 | 4 | GB/T70.1-2000 |
| 25 | 00775602820201010 | Transparent plate | 1 | |
| 26 | 1020304982 | Buzzer | 1 | |
| 27 | 1020304978 | Basin shaped horn | 1 | |
| 28 | 1040100620 | Screw M6×16 | 4 | GB/T818-2000 |
| 29 | 1020300083 | Common relay (ZS2632DC-Li/ZS2032DC-Li) | 1 | |
| | 1020305334 | Common relay (ZS2632HA-Li/ZS2632AC-Li) | 1 | |
| 30 | 1040201605 | Nut M4-8 | 1 | GB/T889.1-2000 |
| 31 | 1040102716 | Screw M4×35 | 1 | GB/T70.1-2000 |

ZS2632/ZS2032DC(AC)-Li Front-wheel Steering System

CHASSIS

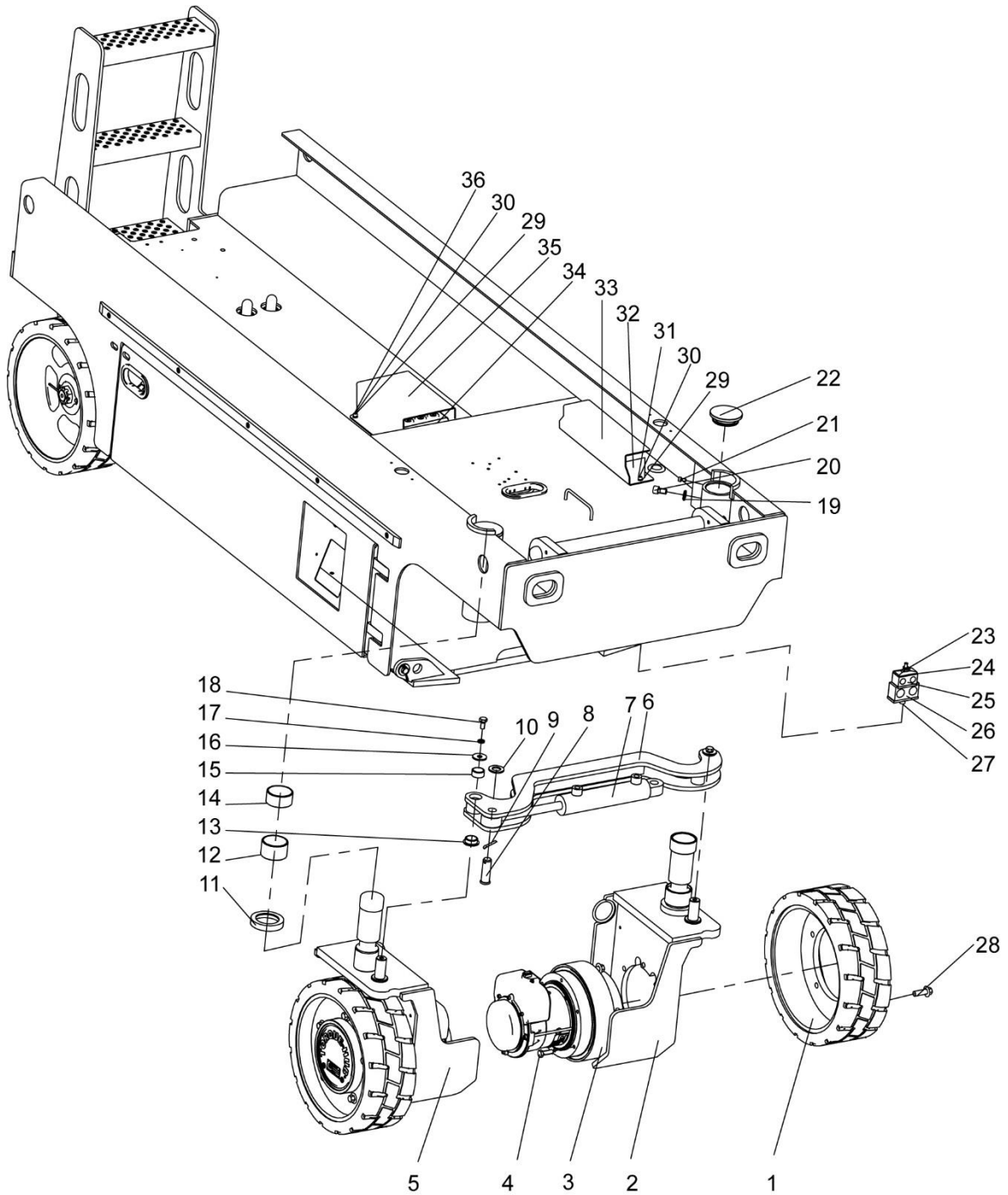


ZS2632/ZS2032DC(AC)-Li Front-wheel Steering System

| NO. | Material No. | Item and Spec | Units | Remark |
|-----|-------------------|--|-------|---------------|
| 1 | 1030800580 | Tire | 2 | |
| 2 | 00775402810600000 | Left steering wheel carrier | 1 | |
| 3 | 1020005625 | Electric machinery (ZS2632AC-Li) | 2 | |
| | 1020005637 | Electric machinery (ZS2632/2032DC-Li) | 2 | |
| 4 | 1040000970 | Bolt 3/8-16UNC-30-8.8 | 12 | GB/T5786-2000 |
| 5 | 00775402810800000 | Right steering wheel carrier | 1 | |
| 6 | 00775402802000000 | Steering linkage | 1 | |
| 7 | 1010201406 | Steering cylinder | 1 | |
| 8 | 1040500034 | Pin B20×60 | 2 | GB/T882-1986 |
| 9 | 1040500394 | Split pin 5×40 | 2 | GB/T91-2000 |
| 10 | 1040300106 | Washer 20 | 2 | GB/T97.1-2002 |
| 11 | 00775602800001050 | Wearing ring | 2 | |
| 12 | 1054400312 | Composite bush 57×63×38 | 2 | |
| 13 | 1054400313 | Composite bush 25×30×12.5 | 2 | |
| 14 | 1054400315 | Composite bush 57×63×30 | 2 | |
| 15 | 1054400314 | Composite bush 25×30×15 | 2 | |
| 16 | 1040301847 | Washer 10 | 2 | GB/T5287-1985 |
| 17 | 1040300067 | Washer 10 | 2 | GB/T93-1987 |
| 18 | 1040000116 | Bolt M10×20-8.8 | 2 | GB/T5783-2000 |
| 19 | 1040300526 | Washer 12 | 2 | GB/T97.1-2002 |
| 20 | 1040100157 | Screw M12×20-8.8 | 2 | GB/T70.1-2000 |

ZS2632/ZS2032DC(AC)-Li Front-wheel Steering System

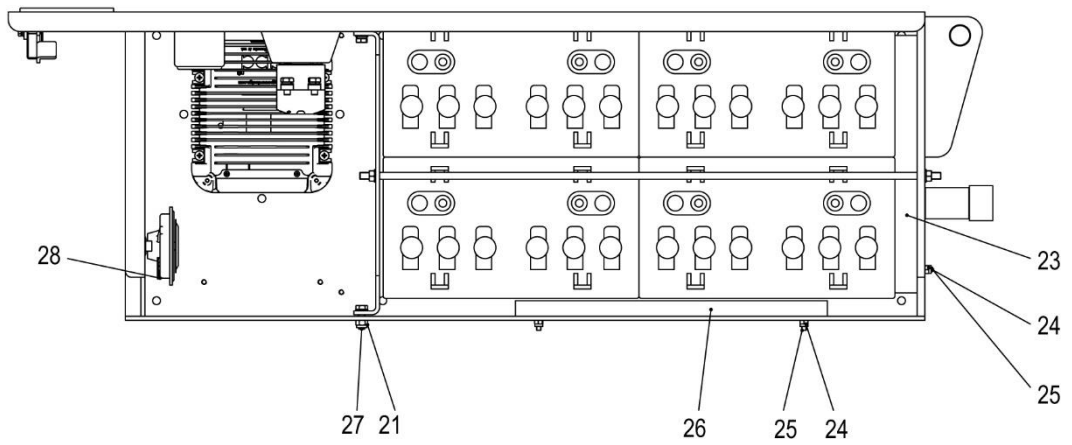
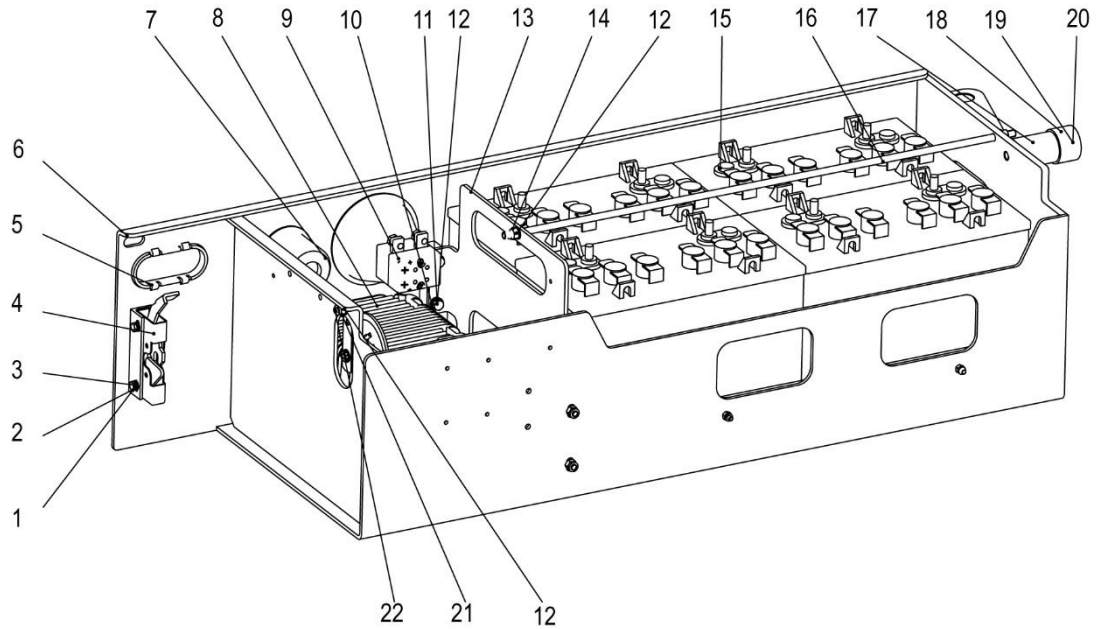
CHASSIS



ZS2632/ZS2032DC(AC)-Li Front-wheel Steering System

| NO. | Material No. | Item and Spec | Units | Remark |
|-----|-------------------|---------------------|-------|------------------|
| 21 | 1040100127 | Screw M6×12-8.8 | 2 | GB/T70.1-2000 |
| 22 | 00775602800001040 | End cover | 2 | |
| 23 | 1040200503 | Nut M8-8 | 1 | GB/T889.1-2000 |
| 24 | 1990201348 | Cover plate | 1 | |
| 25 | 1019901543 | Twin tube clamp | 1 | |
| 26 | 1990201778 | Twin tube clamp | 1 | |
| 27 | 1040100501 | Screw M8×100-8.8 | 1 | GB/T70.1-2000 |
| 28 | 1040005784 | Bolt M12×1.5×35-8.8 | 10 | GB/T16674.2-2004 |
| 29 | 1040300048 | Washer 5-200HV | 10 | GB/T97.1-2002 |
| 30 | 1040300060 | Washer 5 | 10 | GB/T93-1987 |
| 31 | 1040100378 | Screw M5×20-8.8 | 6 | GB/T70.1-2000 |
| 32 | 1020605470 | Braking resistor | 1 | |
| 33 | 00775302830001020 | Resistance cover | 1 | |
| 34 | 1020202270 | Brake Module | 1 | |
| 35 | 00775302830001010 | Brake cover | 1 | |
| 36 | 1040102341 | Screw M5×12-8.8 | 4 | GB/T70.1-2000 |

ZS2632HD/ZS2032HD Battery Tray

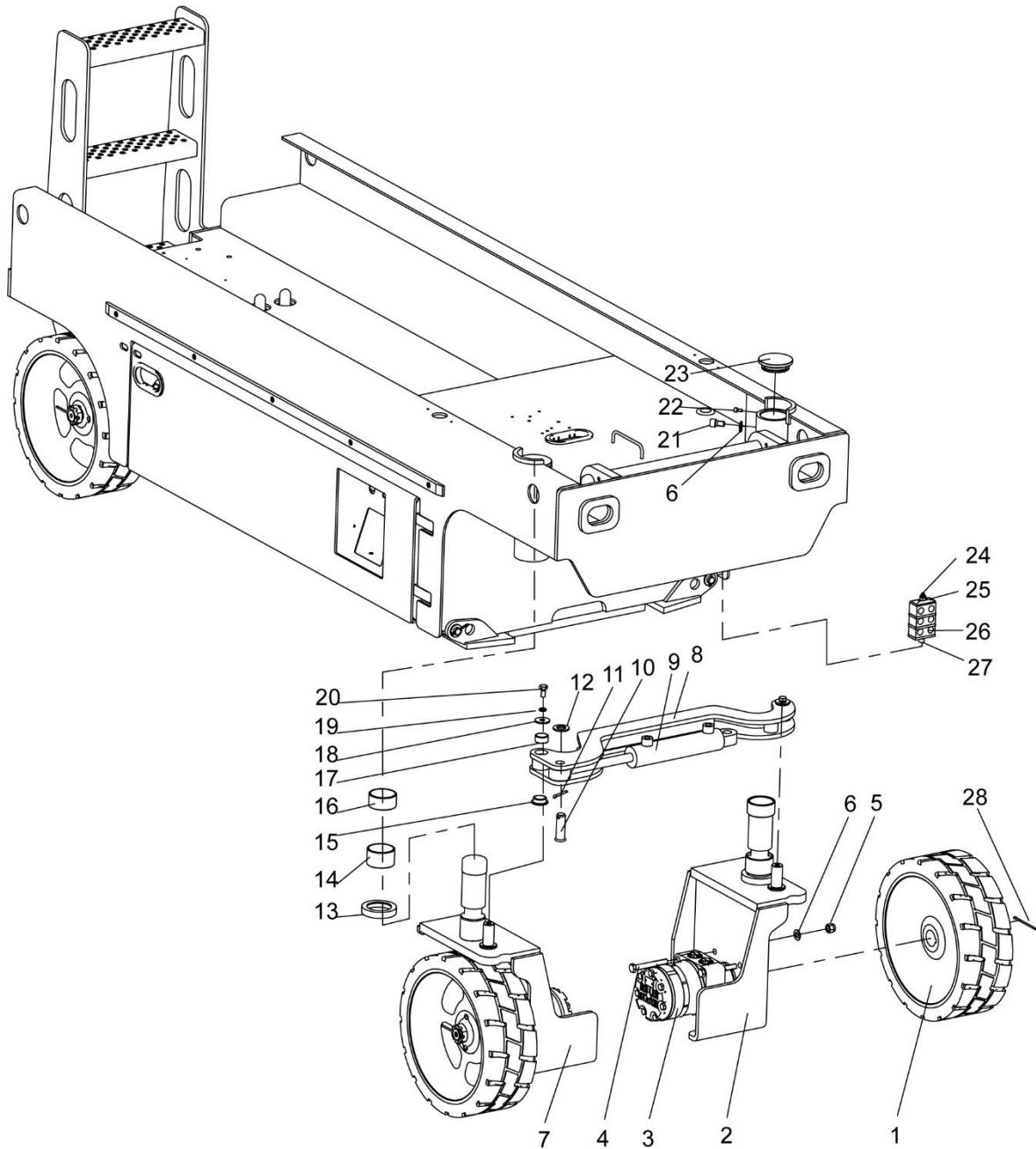


ZS2632HD/ZS2032HD Battery Tray

| NO. | Material No. | Item and Spec | Units | Remark |
|-----|-------------------|---------------------------------|-------|----------------|
| 1 | 1040000076 | Bolt M6×25-8.8 | 2 | GB/T5783-2000 |
| 2 | 1040300062 | Washer 6 | 8 | GB/T93-1987 |
| 3 | 1040300051 | Washer 6 | 8 | GB/T97.1-2002 |
| 4 | 1109900766 | Battery door lock | 1 | |
| 5 | 00775602801601040 | Protecting bush II | 1 | |
| 6 | 00775602801620000 | Battery Tray box | 1 | |
| 7 | 00775602801601010 | Coil III | 1 | |
| 8 | 1029907623 | Vehicle-mounted battery charger | 1 | |
| 9 | 1020521277 | Main power switch | 1 | |
| 10 | 1040000267 | Bolt M8×20-8.8 | 2 | GB/T5783-2000 |
| 11 | 1040300063 | Washer 8 | 2 | GB/T93-1987 |
| 12 | 1040300066 | Washer 8-200HV | 5 | GB/T97.1-2002 |
| 13 | 00775502800220000 | Middle plate | 1 | |
| 14 | 1040201078 | Nut M8 | 2 | GB/T6170-2000 |
| 15 | 1020999049 | Battery | 4 | |
| 16 | 00775602801601020 | Threaded rod | 1 | |
| 17 | 00775602800601010 | Limited post | 1 | |
| 18 | 00775602800601030 | Cushion rubber | 1 | |
| 19 | 1040100519 | Screw M12×80-8.8 | 1 | GB/T70.1-2000 |
| 20 | 1040300054 | Washer 12 | 1 | GB/T93-1987 |
| 21 | 1040200503 | Nut M8 | 3 | GB/T889.1-2000 |
| 22 | 1040100886 | Screw M8×20 | 1 | GB/T70.1-2008 |
| 23 | 00775602801601050 | Limit plate I | 1 | |
| 24 | 1040200506 | Nut M6-8 | 8 | GB/T889.1-2000 |
| 25 | 1040100237 | Screw M6×30-8.8 | 6 | GB/T70.1-2000 |
| 26 | 00775602801601060 | Limit plate II | 1 | |
| 27 | 1040000288 | Bolt M8×25-8.8 | 1 | GB/T5783-2000 |
| 28 | 1020304978 | Basin shaped horn | 1 | |

ZS2632/ZS2032HD(HA) Series Front-wheel Steering System

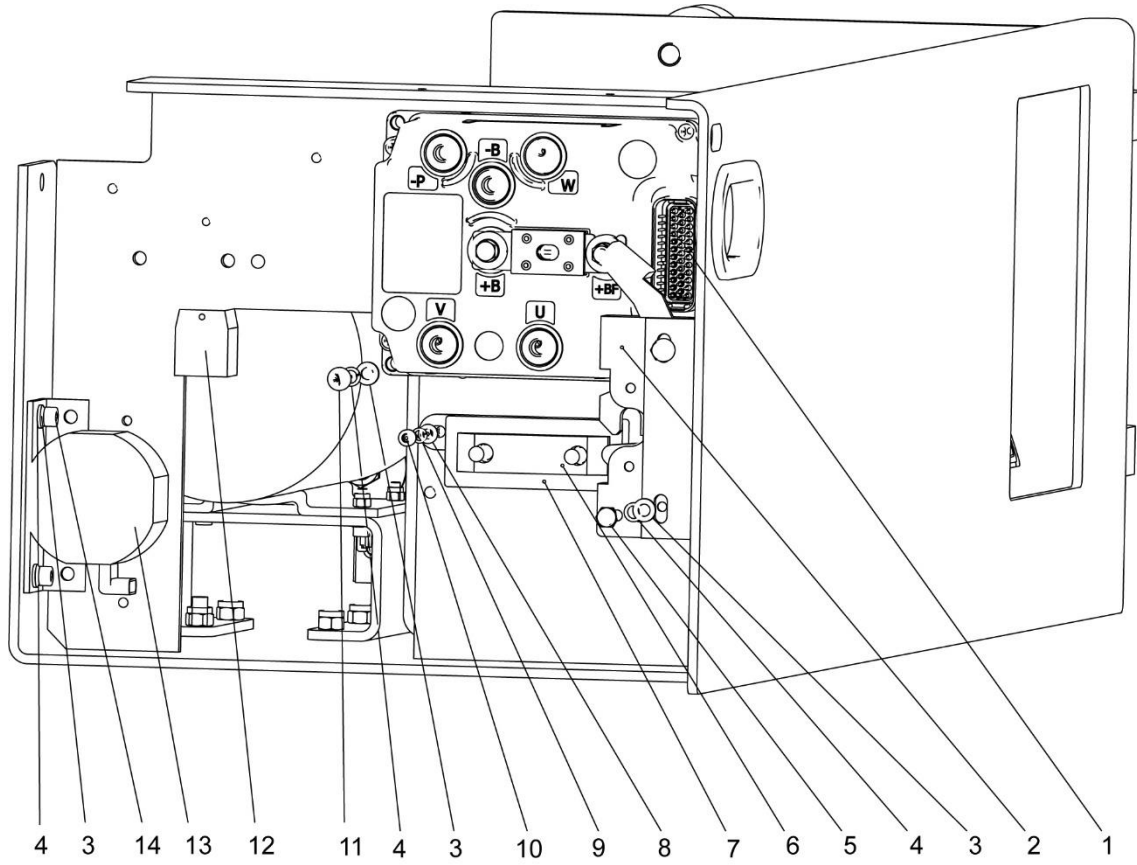
CHASSIS



ZS2632/ZS2032HD(HA) Series Front-wheel Steering System

| NO. | Material No. | Item and Spec | Units | Remark |
|-----|-------------------|------------------------------|-------|----------------|
| 1 | 1030800538 | Tire | 2 | |
| 2 | 00775402800400000 | Left steering wheel carrier | 1 | |
| 3 | 1010100895 | Motor | 2 | |
| 4 | 1040000225 | Bolt M12×90 | 8 | GB/T5783-2000 |
| 5 | 1040200507 | Nut M12-8 | 8 | GB/T889.1-2000 |
| 6 | 1040300526 | Washer 12 | 10 | GB/T97.1-2002 |
| 7 | 00775402800600000 | Right steering wheel carrier | 1 | |
| 8 | 00775402802000000 | Steering linkage | 1 | |
| 9 | 1010201406 | Steering cylinder | 1 | |
| 10 | 1040500034 | Pin B20×60 | 2 | GB/T882-1986 |
| 11 | 1040500394 | Split pin 5×40 | 2 | GB/T91-2000 |
| 12 | 1040300106 | Washer 20 | 2 | GB/T97.1-2002 |
| 13 | 00775602800001050 | Wearing ring | 2 | |
| 14 | 1054400312 | Composite bush 57×63×38 | 2 | |
| 15 | 1054400313 | Composite bush 25×30×12.5 | 2 | |
| 16 | 1054400315 | Composite bush 57×63×30 | 2 | |
| 17 | 1054400314 | Composite bush 25×30×15 | 2 | |
| 18 | 1040301847 | Washer 10 | 2 | GB/T5287-1985 |
| 19 | 1040300067 | Washer 10 | 2 | GB/T93-1987 |
| 20 | 1040000116 | Bolt M10×20-8.8 | 2 | GB/T5783-2000 |
| 21 | 1040100157 | Screw M12×20-8.8 | 2 | GB/T70.1-2000 |
| 22 | 1040100127 | Screw M6×12-8.8 | 2 | GB/T70.1-2000 |
| 23 | 00775602800001040 | End cover | 2 | |
| 24 | 1040200503 | Nut M8-8 | 1 | GB/T889.1-2000 |
| 25 | 1990201348 | Cover plate | 1 | |
| 26 | 1019901543 | Twin tube clamp | 3 | |
| 27 | 1040100728 | Screw M8×110-8.8 | 1 | GB/T70.1-2000 |
| 28 | 1040500535 | Split pin 4×80 | 2 | GB/T91-2000 |

ZS2632/ZS2032HD Series Hydraulic Tray 2

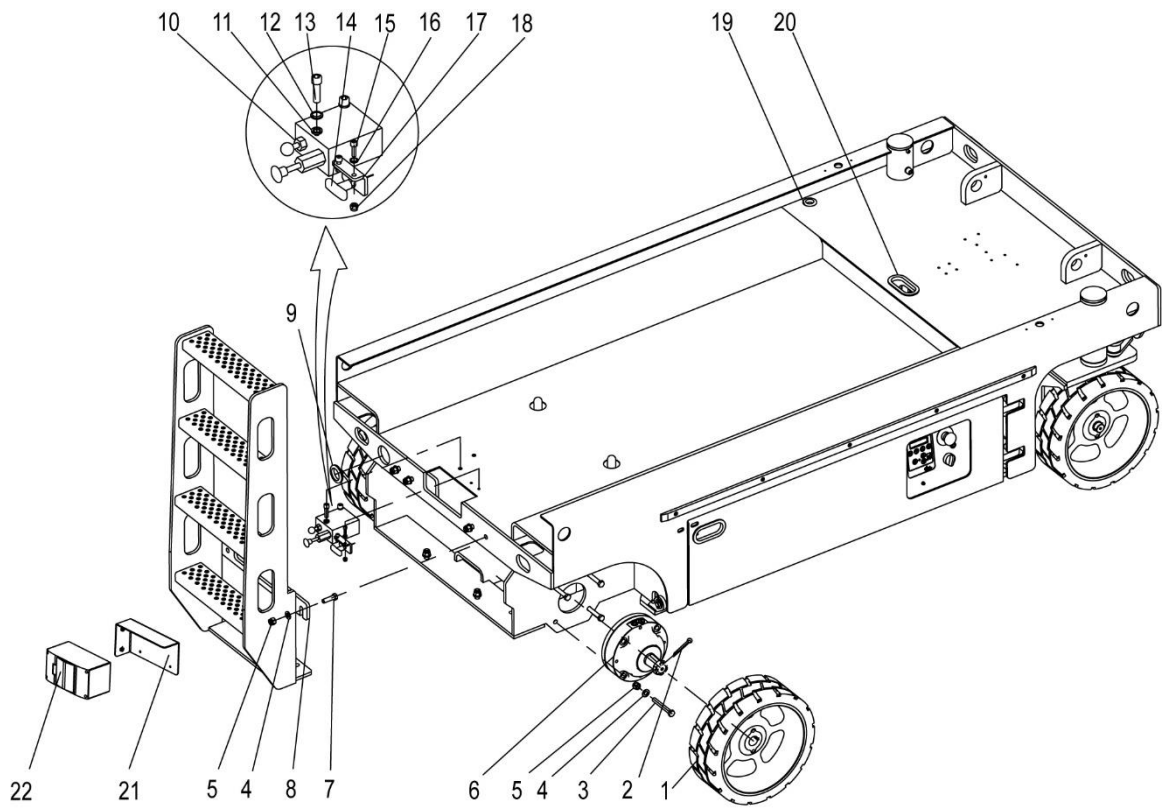


CHASSIS

ZS2632/ZS2032HD Series Hydraulic Tray 2

| NO. | Material No. | Item and Spec | Units | Remark |
|-----|--------------|---------------------|-------|---------------|
| 1 | 1020005692 | Motor driver | 1 | |
| 2 | 1109900765 | Hydraulic door lock | 1 | 1109900765 |
| 3 | 1040300051 | Washer 6-200HV | 8 | GB/T97.1-2002 |
| 4 | 1040300062 | Washer 6 | 8 | GB/T93-1987 |
| 5 | 1040000076 | Bolt M6×25-8.8 | 2 | GB/T5783-2000 |
| 6 | 1020605230 | Flat fuse | 1 | |
| 7 | 1020604246 | Fuse holder | 1 | |
| 8 | 1040100620 | Screw M6×16 | 4 | GB/T818-2000 |
| 9 | 1040300048 | Washer 5-200HV | 6 | GB/T97.1-2002 |
| 10 | 1040300060 | Washer 5 | 2 | GB/T93-1987 |
| 11 | 1040102341 | Screw M5×12-8.8 | 2 | GB/T70.1-2000 |
| 12 | 1020300083 | Common relay | 1 | |
| 13 | 1020304982 | Buzzer | 2 | |
| 14 | 1040100127 | Screw M6×12-8.8 | 2 | GB/T70.1-2000 |

ZS2632/ZS2032HD(HA) Series Ladder

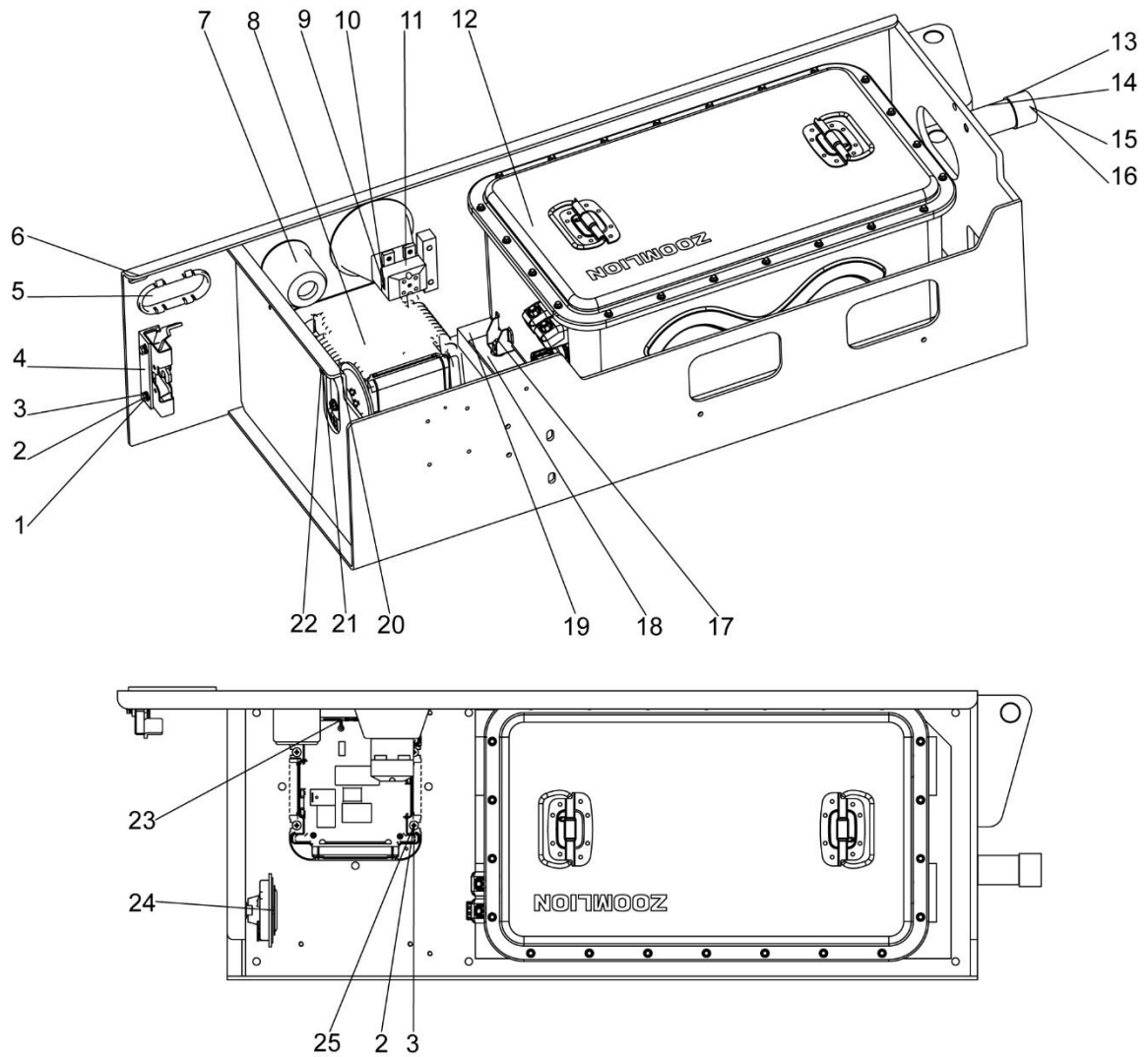


CHASSIS

ZS2632/ZS2032HD(HA) Series Ladder

| NO. | Material No. | Item and Spec | Units | Remark |
|-----|-------------------|----------------------------------|-------|----------------|
| 1 | 1030800538 | Tire | 2 | |
| 2 | 1040500535 | Split pin 4×80 | 2 | GB/T91-2000 |
| 3 | 1040000225 | Bolt M12×90-8.8 | 8 | GB/T5783-2000 |
| 4 | 1040300526 | Washer 12 | 14 | GB/T97.1-2002 |
| 5 | 1040200507 | Nut M12-8 | 14 | GB/T889.1-2000 |
| 6 | 1019901335 | Brake | 2 | |
| 7 | 1040004201 | Bolt M12×40-8.8 | 6 | GB/T801-1998 |
| 8 | 00775402801800000 | Ladder | 1 | |
| 9 | 00775602801601010 | Coil III | 1 | |
| 10 | 1010305937 | Manuel pump | 1 | |
| 11 | 1040300067 | Washer 10 | 2 | GB/T93-1987 |
| 12 | 1040300061 | Washer 10 | 2 | GB/T97.1-2002 |
| 13 | 1040000970 | Bolt 3/8-16UNC-30-8.8 | 2 | |
| 14 | 1100700162 | T handle (Red) | 1 | |
| 15 | 1040100055 | Screw M6×20-8.8 | 2 | GB/T70.1-2000 |
| 16 | 1040300051 | Washer 6 | 2 | GB/T97.1-2002 |
| 17 | 00775605200401030 | Lower stay wire bracket | 1 | |
| 18 | 1040200506 | Nut M6-8 | 2 | GB/T889.1-2000 |
| 19 | 00775602800001180 | Coil II | 2 | |
| 20 | 00775602801601040 | Protecting bush II | 1 | |
| 21 | 00775302802400000 | Box holder | 1 | |
| 22 | 1020605443 | Residual current circuit breaker | 1 | |

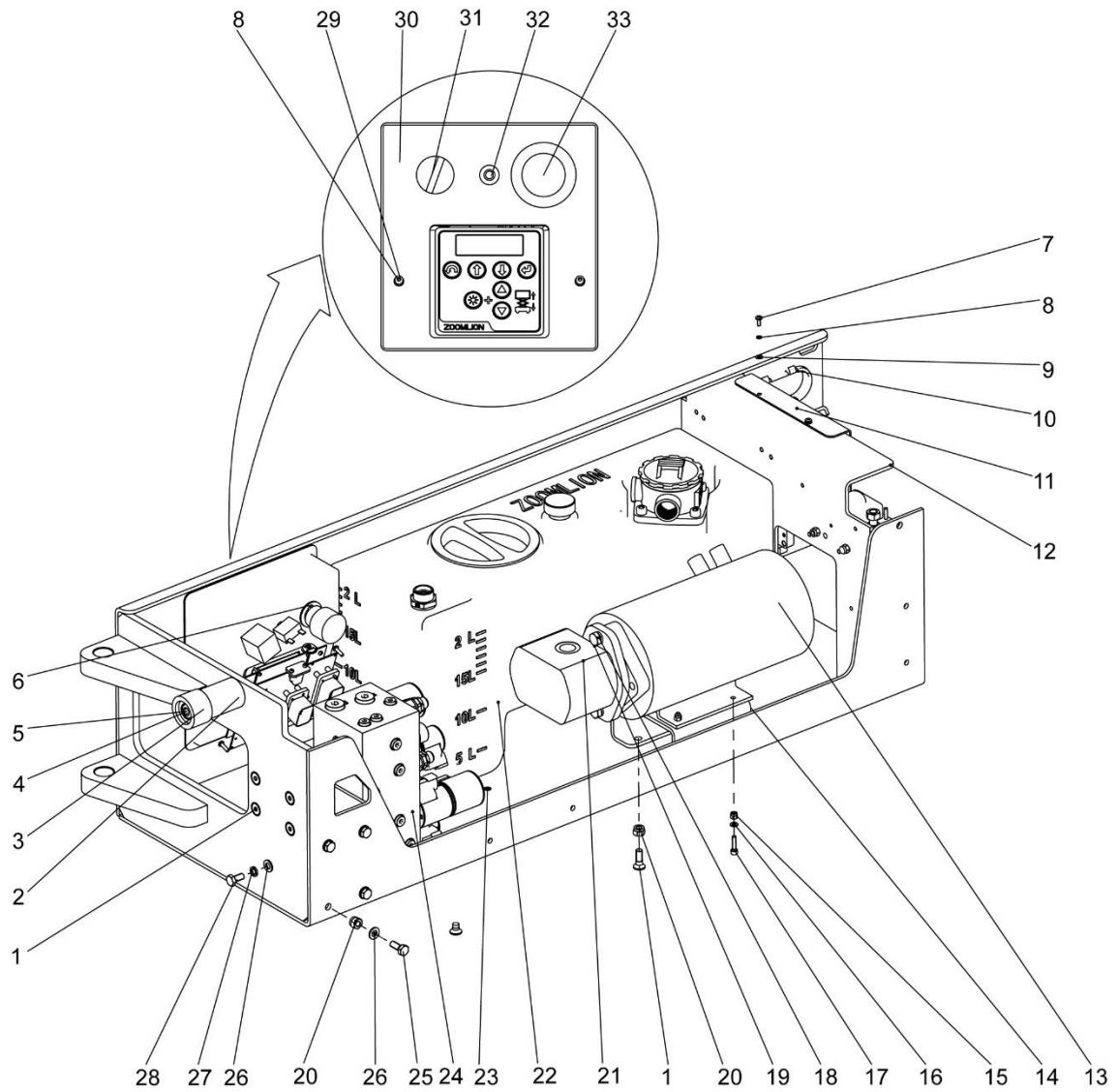
ZS2632/ZS2032HD-Li Battery Tray



ZS2632/ZS2032HD-Li Battery Tray

| NO. | Material No. | Item and Spec | Units | Remark |
|-----|-------------------|---------------------------------|-------|----------------|
| 1 | 1040000076 | Bolt M6×25-8.8 | 2 | GB/T5783-2000 |
| 2 | 1040300062 | Washer 6 | 8 | GB/T93-1987 |
| 3 | 1040300051 | Washer 6 | 8 | GB/T97.1-2002 |
| 4 | 1109900766 | Battery door lock | 1 | |
| 5 | 00775602801601040 | Protecting bush II | 1 | |
| 6 | 00775602801620000 | Battery Tray box | 1 | |
| 7 | 00775602801601010 | Coil.III | 1 | |
| 8 | 1029907623 | Vehicle-mounted battery charger | 1 | |
| 9 | 1040300060 | Washer 5 | 2 | GB/T93-1987 |
| 10 | 1040102341 | Screw M5×12-8.8 | 2 | GB/T70.1-2000 |
| 11 | 1020521277 | Main power switch | 1 | |
| 12 | 1020999016 | Battery | 1 | |
| 13 | 00775602800601030 | Cushion rubber | 1 | |
| 14 | 00775602800601010 | Limited post | 1 | |
| 15 | 1040100519 | Screw M12×80-8.8 | 1 | GB/T70.1-2000 |
| 16 | 1040300054 | Washer 12 | 1 | GB/T93-1987 |
| 17 | 1040003761 | Bolt M6×25-8.8 | 4 | GB/T5783-2000 |
| 18 | 00775602820201070 | Rubber Washer | 4 | |
| 19 | 00775602820201080 | Counterweight | 1 | |
| 20 | 1040100886 | Screw M8×20 | 1 | GB/T70.1-2000 |
| 21 | 1040200503 | Nut M8 | 1 | GB/T889.1-2000 |
| 22 | 1040300066 | Washer 8 | 1 | GB/T97.1-2002 |
| 23 | 00775602820201010 | Transparent plate | 1 | |
| 24 | 1020304978 | Basin shaped horn | 1 | |
| 25 | 1040100620 | Screw M6×16 | 4 | GB/T818-2000 |

ZS2632/ZS2032HD/DC/HA Series Hydraulic Tray 1

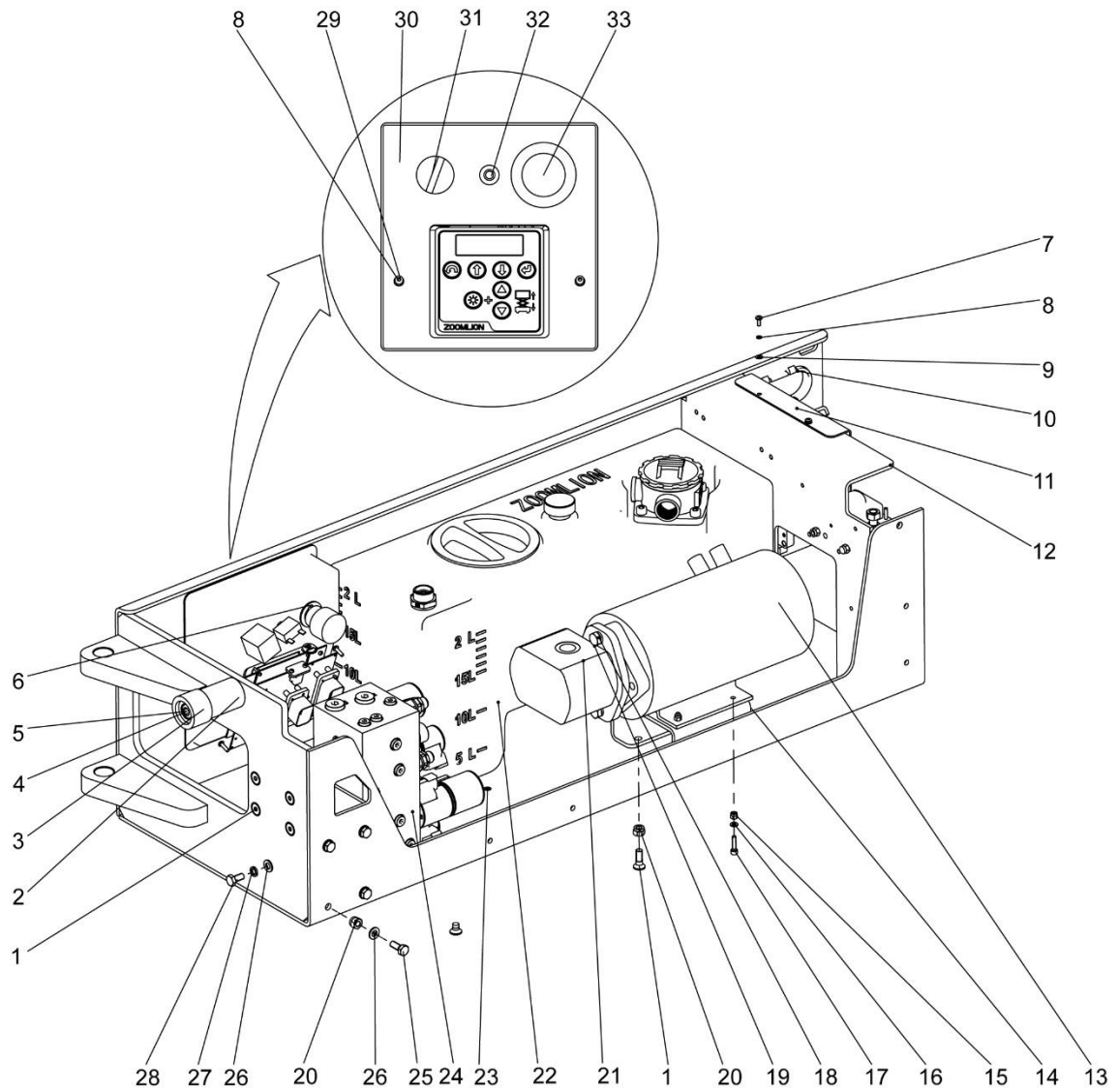


ZS2632/ZS2032HD/DC/HA Series Hydraulic Tray 1

| NO. | Material No. | Item and Spec | Units | Remark |
|-----|-------------------|---|-------|---------------|
| 1 | 1040102356 | Screw M8×25-8.8 | 8 | GB/T70.3-2000 |
| 2 | 00775602800601010 | Limited post | 1 | |
| 3 | 00775602800601030 | Cushion rubber | 1 | |
| 4 | 1040100519 | Screw M12×80-8.8 | 1 | GB/T70.1-2000 |
| 5 | 1040300054 | Washer 12 | 1 | GB/T93-1987 |
| 6 | 00775606300201030 | Key switch gasket | 1 | |
| 7 | 1040100106 | Screw M4×10-4.8 | 2 | GB/T818-2000 |
| 8 | 1040300044 | Washer 4 | 4 | GB/T93-1987 |
| 9 | 1040301697 | Washer 4-160HV | 4 | GB/T97.1-2002 |
| 10 | 00775602801601040 | Protecting bush II | 1 | |
| 11 | 00775602800601040 | Waterproof coverplate (ZS2632/ZS2032HD Series) | 1 | |
| 12 | 00775602860210000 | Hydraulic Tray box (ZS2632HA Series) | 1 | |
| | 00775602800620000 | Hydraulic Tray box (ZS2632DC/ ZS2632HD/ZS2032DC Series) | 1 | |
| 13 | 1020005472 | Hydraulic pump drive motor 24V, 3.3KW (ZS2632HA Series) | 1 | |
| | 1020005153 | DC motor (ZS2632/ZS2032HD ZS2632/ZS2032DC Series) | 1 | |
| 14 | 00775602800601020 | Driver support | 1 | |

ZS2632/ZS2032HD/DC/HA Series Hydraulic Tray 1

CHASSIS

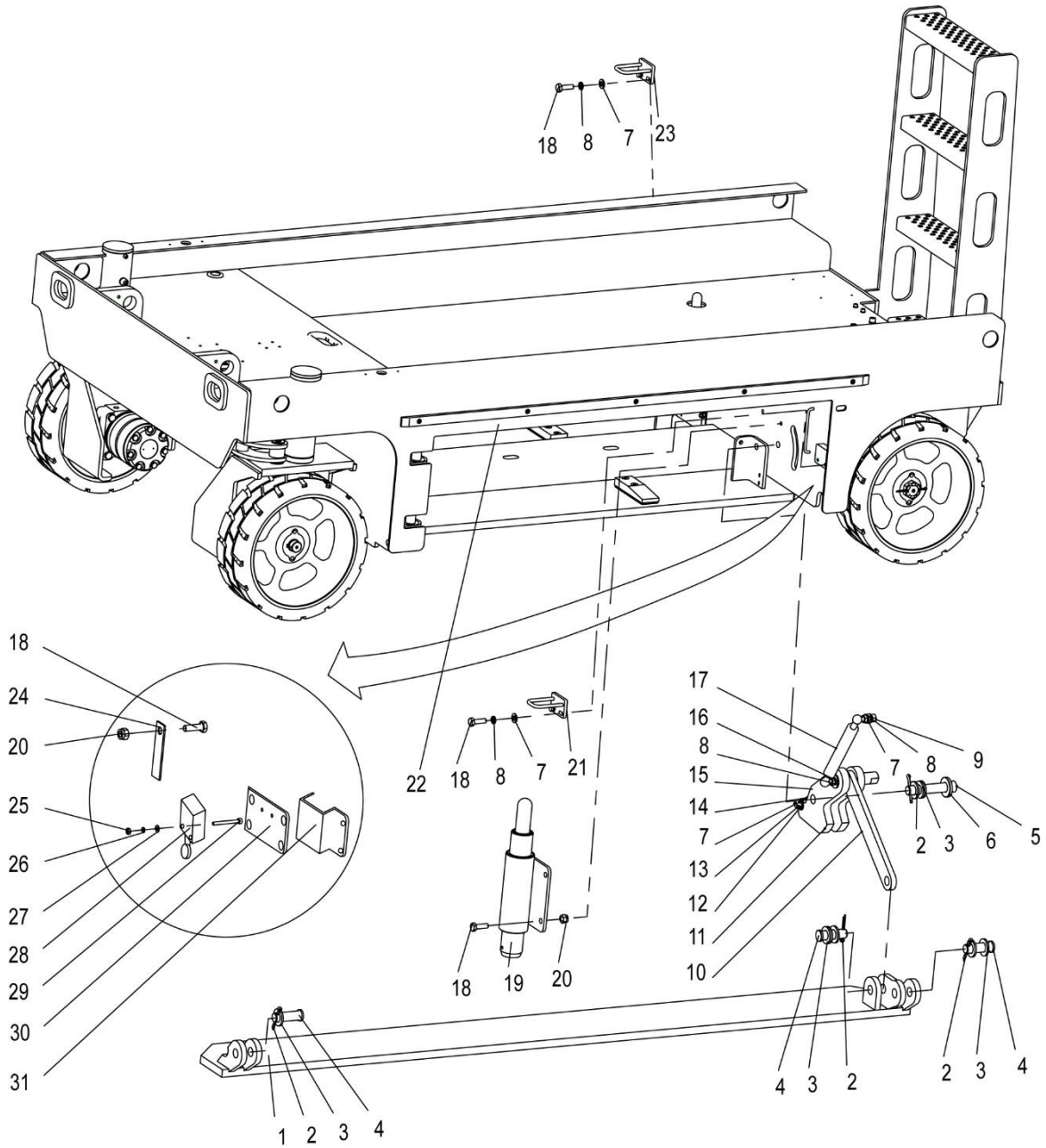


ZS2632/ZS2032HD/DC/HA Series Hydraulic Tray 1

| NO. | Material No. | Item and Spec | Units | Remark |
|-----|--------------|--|-------|-----------------------------------|
| 15 | 1040200867 | Bolt M5 | 4 | GB/T889.1-2000 |
| 16 | 1040300048 | Washer 5-200HV | 6 | GB/T97.1-2002 |
| 17 | 1040100378 | Screw M5×20-8.8 | 4 | GB/T70.1-2000 |
| 18 | 1040300067 | Washer 10 | 2 | GB/T93-1987 |
| 19 | 1040004607 | Bolt 3/8-24UNF-1-10. | 2 | ASME B18.2.1-2010 |
| 20 | 1040200503 | Nut M8-8 | 8 | GB/T889.1-2000 |
| 21 | 1010001885 | Hydraulic pump | 1 | 4cc-PGP505A0040 AA1H2ND4D4B1B1 |
| 22 | 1011300151 | Tank | 1 | |
| 23 | 1040101606 | Screw M8×12-8.8 | 4 | GB/T70.3-2000 |
| 24 | 1010305936 | Control valve (ZS2632HD/0808HA/2032HD) | 1 | |
| | 1010306182 | Control valve (ZS2632HD-Li/0808HA-Li/2032HD-Li) | 1 | |
| | 1010306187 | Control valve (ZS2632DC/2032DC) | 1 | |
| | 1010306289 | Control valve (ZS2632DC-Li/2032DC-Li) | 1 | |
| 25 | 1040000267 | Bolt M8×20-8.8 | 6 | GB/T5783-2000 |
| 26 | 1040300066 | Washer 8-200HV | 8 | GB/T97.1-2002 |
| 27 | 1040300063 | Washer 8 | 4 | GB/T93-1987 |
| 28 | 1040004517 | Bolt M8×16-8.8 | 4 | GB/T5783-2000 |
| 29 | 1029804041 | Screw M4×25-4.8 | 2 | GB/T70.1-2000 |
| 30 | 1020104088 | Ground control assembly | 1 | |
| 31 | 1020521389 | Key switch | 1 | |
| 32 | 1020304979 | Breaker | 1 | |
| 33 | 1020502039 | Emergency stop button | 1 | |

ZS2632/ZS2032 Series Pothole Guard

CHASSIS

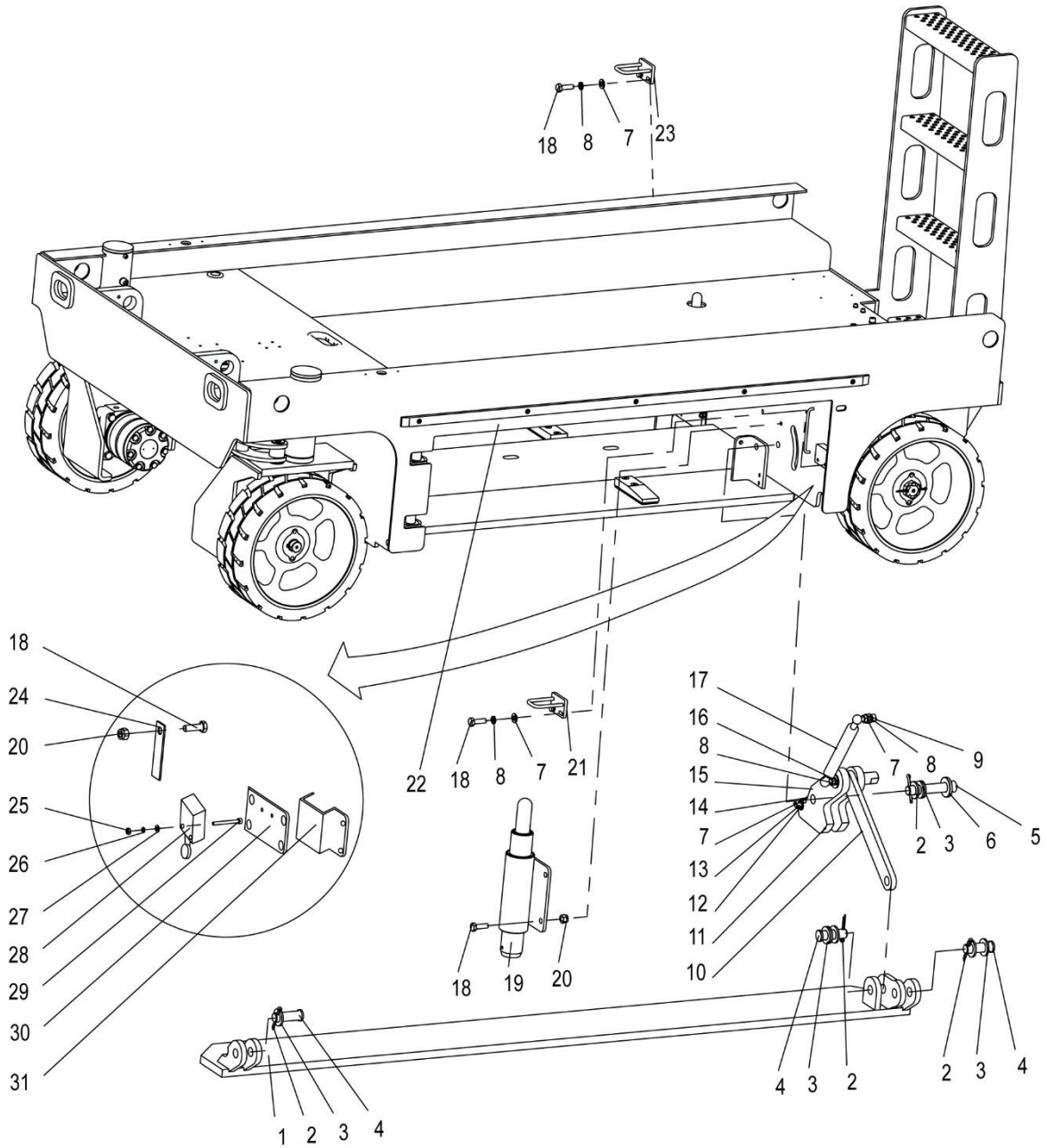


ZS2632/ZS2032 Series Pothole Guard

| NO. | Material No. | Item and Spec | Units | Remark |
|-----|-------------------|---------------------|-------|----------------|
| 1 | 00775602802000000 | Left pothole plate. | 1 | |
| 2 | 1040500054 | Split pin 4×40 | 8 | GB/T91-2000 |
| 3 | 1040300052 | Washer 16 | 12 | GB/T97.1-2002 |
| 4 | 1040501520 | Pin B16×50 | 6 | GB/T882-2000 |
| 5 | 1040500111 | Pin B16×90 | 2 | GB/T882-1986 |
| 6 | 00775602800001130 | Crank gasket | 2 | |
| 7 | 1040300066 | Washer 8 | 8 | GB/T97.1-2002 |
| 8 | 1040300063 | Washer 8 | 8 | GB/T93-1987 |
| 9 | 1040201078 | Nut M8 | 2 | GB/T6170-2000 |
| 10 | 00775402800001040 | Crank linkage | 2 | |
| 11 | 00775602801400000 | Crank | 2 | |
| 12 | 1040500383 | Pin B8×50 | 2 | GB/T882-1986 |
| 13 | 1040500212 | Split pin 3.2×20 | 2 | GB/T91-2000 |
| 14 | 00775602800001060 | Crank trolley | 2 | |
| 15 | 00775602800001070 | Crank Pin | 2 | |
| 16 | 1040300094 | Washer 8 | 2 | GB/T96.1-2002 |
| 17 | 1110100353 | Gas spring | 2 | |
| 18 | 1040000288 | Bolt M8×25 | 10 | GB/T5783-2000 |
| 19 | 00775402801200000 | Guide mechanism | 2 | |
| 20 | 1040200503 | Nut M8-8 | 10 | GB/T889.1-2000 |

ZS2632/ZS2032 Series Pothole Guard

CHASSIS

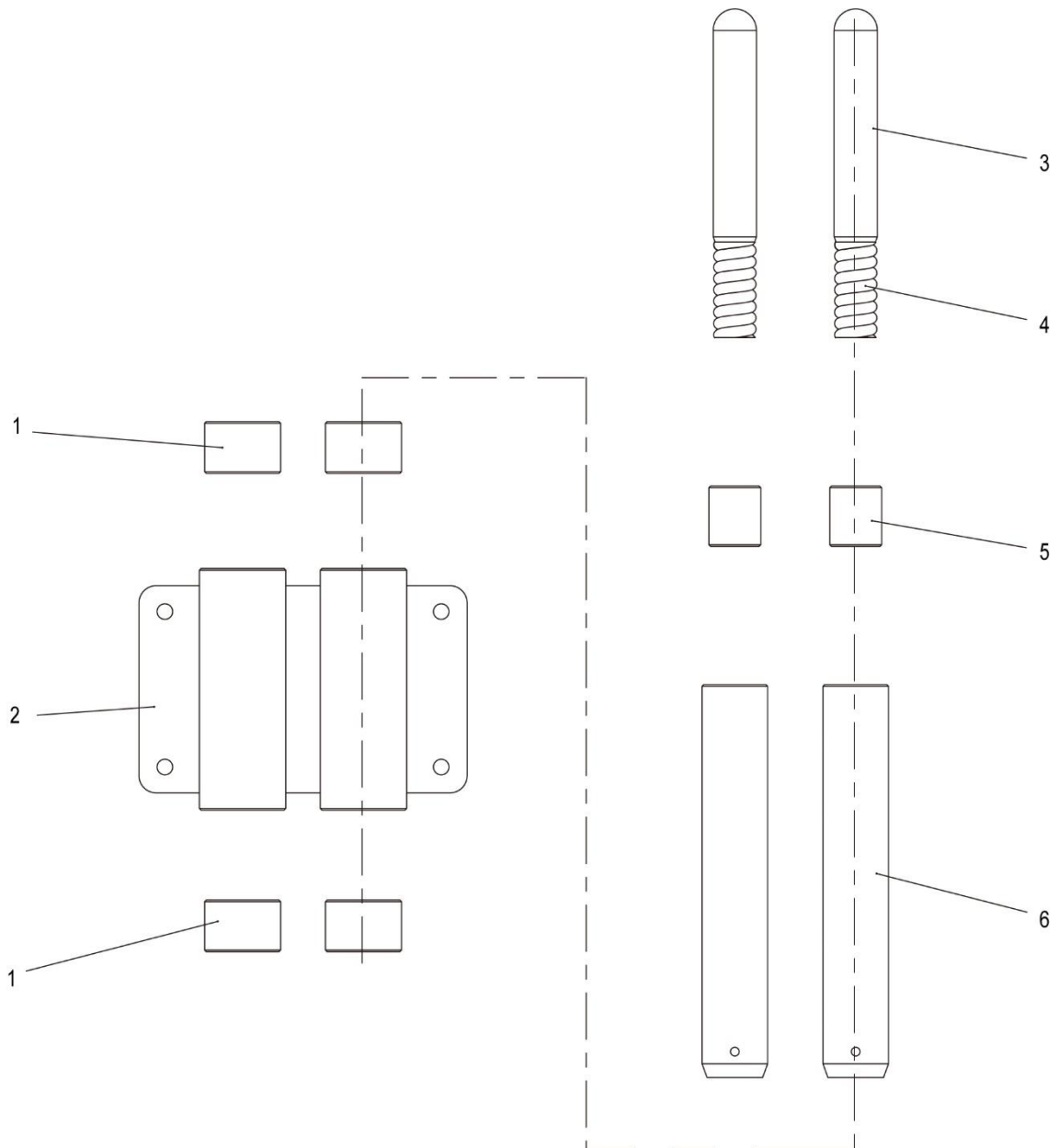


ZS2632/ZS2032 Series Pothole Guard

| NO. | Material No. | Item and Spec | Units | Remark |
|-----|-------------------|---|-------|---------------|
| 21 | 00775602803000000 | Tray lock seat I | 1 | |
| 22 | 00775602802200000 | Right pothole plate | 1 | |
| 23 | 00775602802800000 | Tray lock seat II | 1 | |
| 24 | 1020705980 | Conduction band | 2 | |
| 25 | 1040200100 | Nut M4-8 | 4 | GB/T6170-2000 |
| 26 | 1040300044 | Washer 4 | 4 | GB/T93-1987 |
| 27 | 1040301697 | Washer 4 | 4 | GB/T97.1-2002 |
| 28 | 1020521804 | Limit switch (ZS2632/ZS2032HD ZS2632AC) | 2 | |
| | 1020520944 | Limit switch (ZS2632/ZS2032DC ZS2632HA) | 2 | |
| 29 | 1040101189 | Screw M4×40-8.8 | 4 | GB/T70.1-2000 |
| 30 | 00775606300201050 | Switch plate | 2 | |
| 31 | 00775606300201060 | Switch shield | 2 | |

ZS2632/ZS2032/ZS1932/ZS1930/ZS1530 Series Guide Mechanism

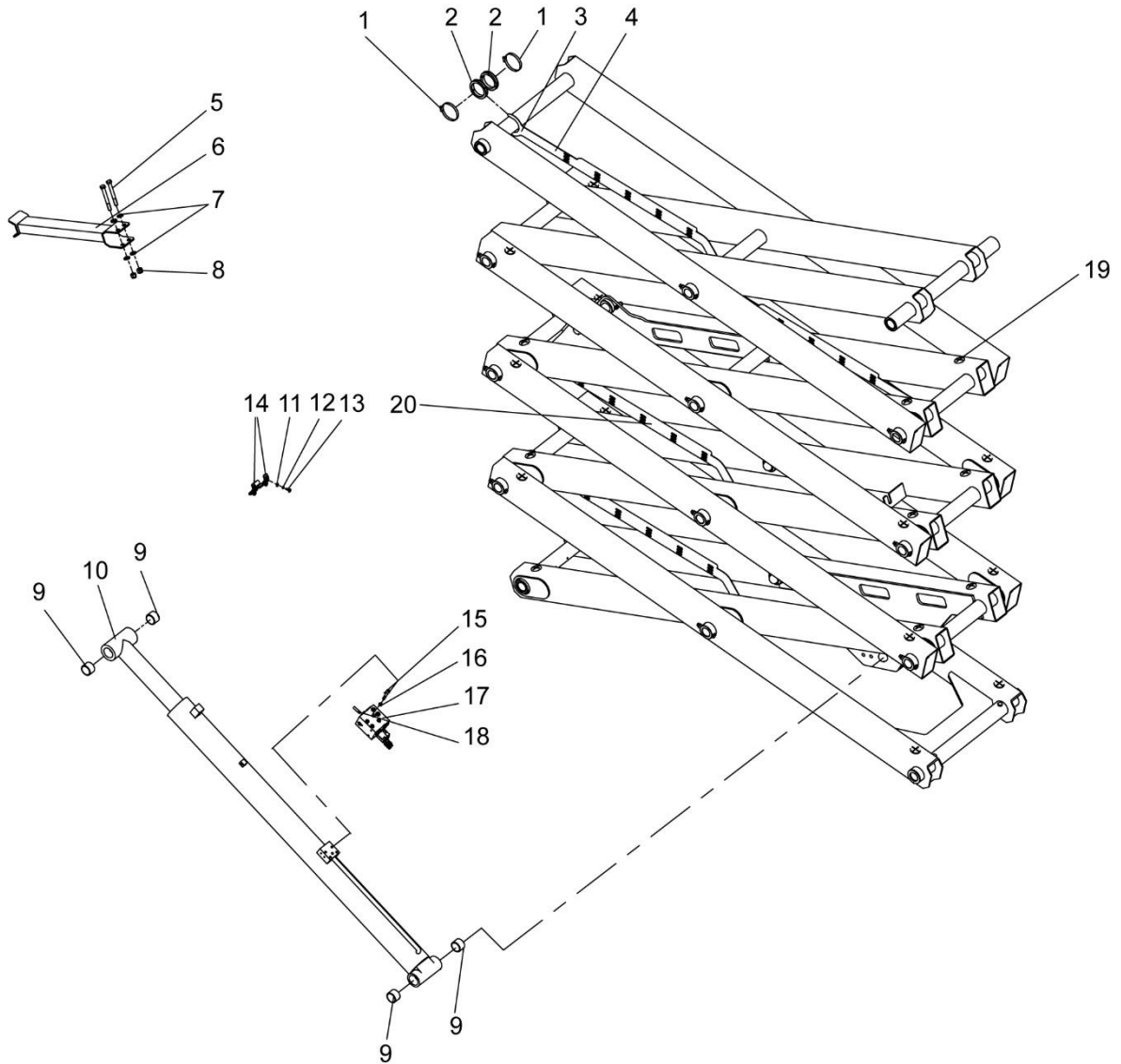
CHASSIS



ZS2632/ZS2032/ZS1932/ZS1930/ZS1530 Series Guide Mechanism

| NO. | Material No. | Item and Spec | Units | Remark |
|-----|-------------------|-------------------------------------|-------|--------|
| 1 | 1054400310 | Composite bush 38×44×30 | 2 | |
| 2 | 00775402801210000 | Guide support | 1 | |
| 3 | 00775602801201020 | Spring support | 1 | |
| 4 | 00775602801201030 | Spring | 1 | |
| 5 | 1054400308 | Composite bush 25×30×35 | 1 | |
| 6 | 00775602801201010 | Guide rod (ZS2032/ZS2632 series) | 1 | |
| | 00775302802001010 | Guide rod (ZS1932/ZS1930 series) | 1 | |
| | 00775202802001010 | Guide rod (ZS1530 series) | 1 | |

ZS2632 Series Scissor Arm Accessory



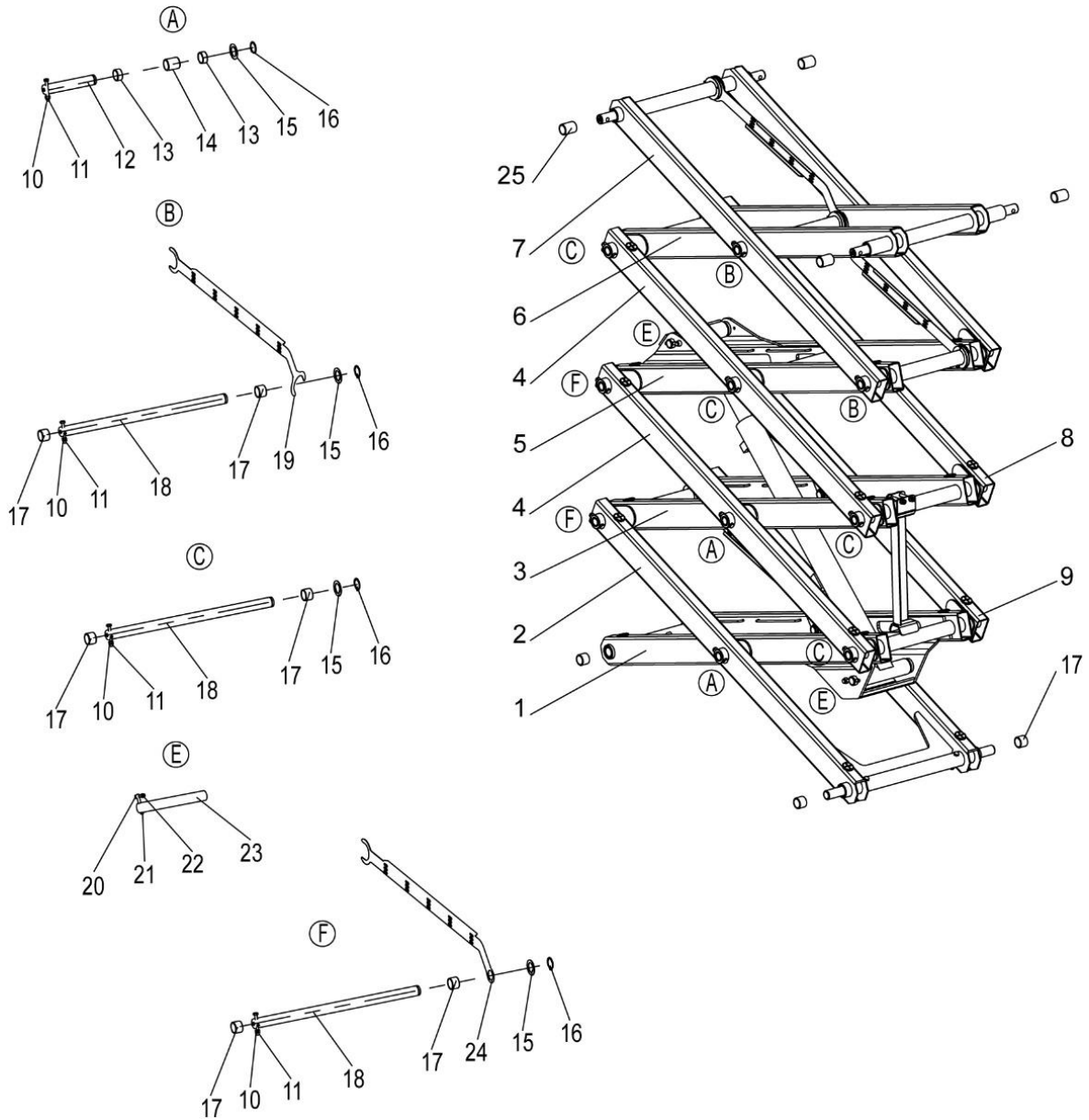
SCISSOR ARM

ZS2632 Series Scissor Arm Accessory

| NO. | Material No. | Item and Spec | Units | Remark |
|-----|-------------------|---|-------|----------------|
| 1 | 1990201051 | Clamp $\phi 60-\phi 80$ | 6 | |
| 2 | 00775600300001100 | Nylon cover II | 12 | |
| 3 | 00775600300001080 | End pipe trunking II | 2 | |
| 4 | 1089900652 | Sealing strip 16 \times 3 | 6 | |
| 5 | 1040000126 | Bolt M12 \times 100-8.8 | 2 | GB/T5782-2000 |
| 6 | 00775700302400000 | Safety arm | 1 | |
| 7 | 1040300526 | Washer 12 | 4 | GB/T97.1-2002 |
| 8 | 1040200507 | Nut M12-8 | 2 | GB/T889.1-2000 |
| 9 | 1054400310 | Composite bush 38 \times 44 \times 30 | 4 | |
| 10 | 1010201627 | Lift cylinder | 1 | |
| 11 | 1040300051 | Washer 6 | 4 | GB/T97.1-2002 |
| 12 | 1040300062 | Washer 6 | 4 | GB/T93-1987 |
| 13 | 1040100620 | Screw M6 \times 16-8.8 | 4 | GB/T818-2000 |
| 14 | 00775600000001030 | Limit block | 2 | |
| 15 | 1040102034 | Screw M8 \times 60-10.9 | 4 | GB/T70.1-2000 |
| 16 | 1040300063 | Washer 8 | 4 | GB/T93-1987 |
| 17 | 1010307396 | Cylinder control valve | 1 | |
| 18 | 1021403993 | Pressure sensor | 1 | |
| 19 | 00775600300001110 | Plastic pad | 24 | |
| 20 | 00775600300001070 | End pipe trunking I | 2 | |

ZS2632 Series Scissor Arm Pin

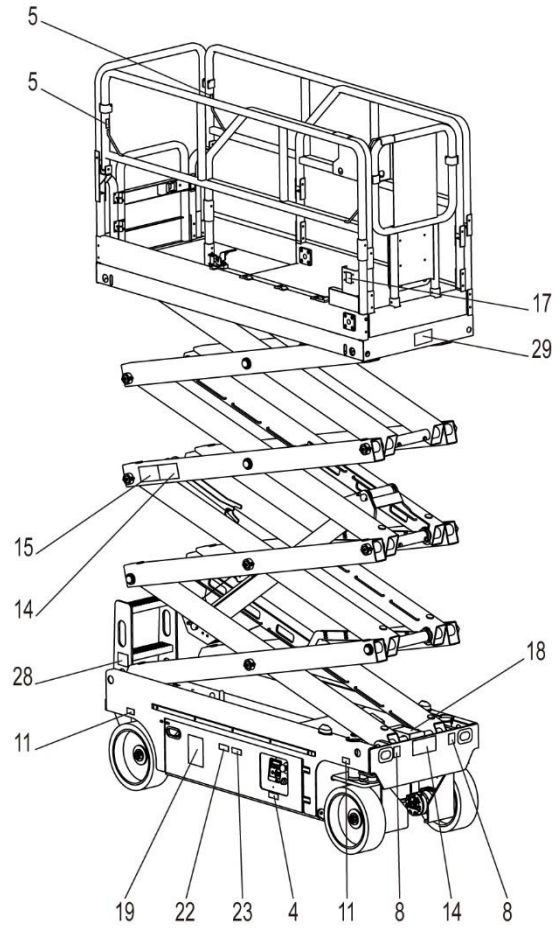
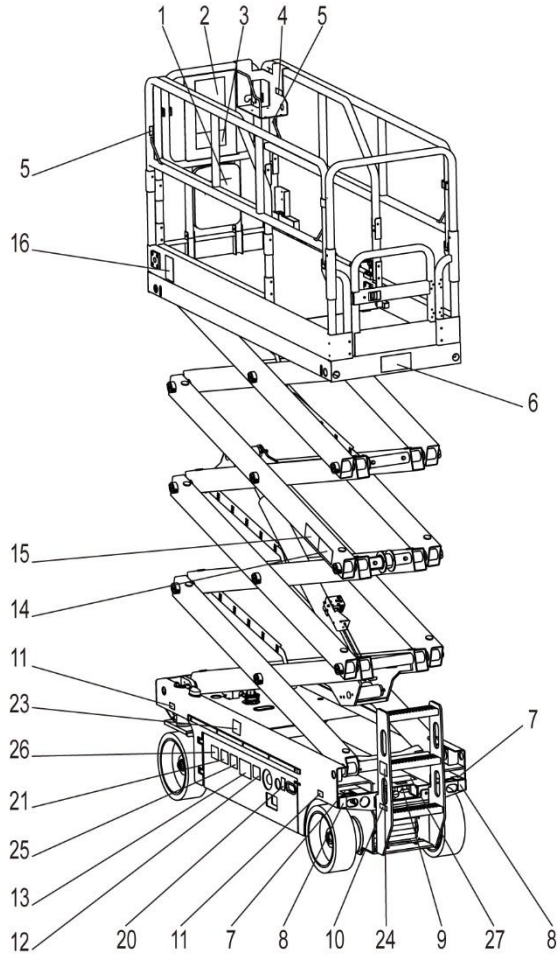
SCISSOR ARM



ZS2632 Series Scissor Arm Pin

| NO. | Material No. | Item and Spec | Units | Remark |
|-----|-------------------|--------------------------|-------|----------------|
| 1 | 00775400300400000 | Internal scissor arm I | 1 | |
| 2 | 00775400300200000 | External scissor arm I | 1 | |
| 3 | 00775400300600000 | Internal scissor arm II | 1 | |
| 4 | 00775600300600000 | External scissor arm II | 2 | |
| 5 | 00775400301000000 | Internal scissor arm III | 1 | |
| 6 | 00775400301200000 | Internal scissor arm IV | 1 | |
| 7 | 00775400300800000 | External scissor arm II | 1 | |
| 8 | 00775600302800000 | External scissor armVII | 1 | |
| 9 | 00775600300800000 | External scissor arm III | 1 | |
| 10 | 1040200504 | Nut M10-8 | 12 | GB/T889.1-2000 |
| 11 | 1040000025 | Bolt M10×80-8.8 | 12 | GB/T5782-2000 |
| 12 | 00775600300001020 | Axle II | 4 | |
| 13 | 1054400311 | Composite bush 44×38×20 | 8 | |
| 14 | 00775600300001120 | Spacer, bearing | 4 | |
| 15 | 00775600300001090 | Gasket | 10 | |
| 16 | 1040300984 | Retaining ring 38 | 12 | GB/T894.1-1986 |
| 17 | 1054400310 | Composite bush 44×38×30 | 24 | |
| 18 | 00775400300001010 | Axle I | 8 | |
| 19 | 00775600300001080 | End pipe trunking II | 2 | |
| 20 | 1040000689 | Bolt M8×35-8.8 | 2 | GB/T5782-2000 |
| 21 | 00775600000001050 | Articulated pin | 2 | |
| 22 | 1040200503 | Nut M8-8 | 2 | GB/T889.1-2000 |
| 23 | 00775400300001020 | Axle IV | 2 | |
| 24 | 00775600300001070 | End pipe trunking I | 2 | |
| 25 | 1054400309 | Composite bush 44×38×50 | 4 | |

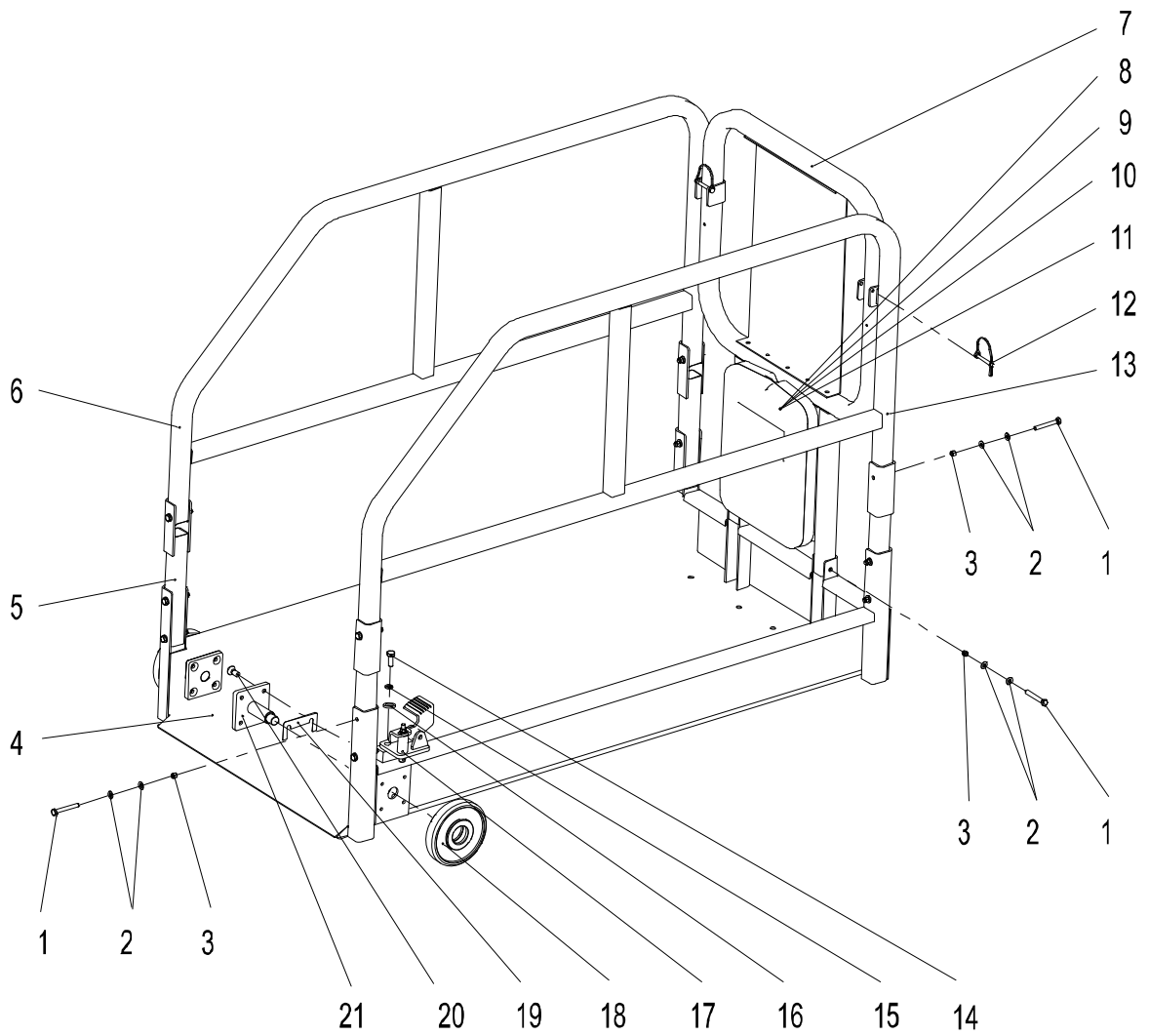
ZS2632 Series Decal Installation



ZS2632 Series Decal Installation

| NO. | Material No. | Item and Spec | Units | Remark |
|-----|-------------------|--|-------|--------|
| 1 | 00775307080402040 | Label- Store the Operation and Safety Manual | 1 | |
| 2 | 00775207010403010 | Label- Safety Rules | 1 | |
| 3 | 00775207010403070 | Danger- Tip-over Hazard | 1 | |
| 4 | 00775307080402030 | Label- Read the Instructions Carefully | 2 | |
| 5 | 00775307080202090 | Label- Lanyard Anchorage Point | 4 | |
| 6 | 00775307040201020 | Label- Capacity, 230kg | 1 | |
| 7 | 00775307080202210 | Label- Forklift Hole | 2 | |
| 8 | 00775307080202010 | Label- Lifting and tying | 4 | |
| 9 | 00775307080402150 | Label- Emergency Lowering | 1 | |
| 10 | 00775307080401050 | Label- AC Power to Platform | 1 | |
| 11 | 00775307010402020 | Label- Wheel Load, 830kg | 4 | |
| 12 | 00775307080402110 | Instruction- Main Power Switch Operation | 1 | |
| 13 | 00775307080402060 | Danger- Explosion and Fire Hazard | 1 | |
| 14 | 00775307040401040 | Danger- Crushing Hazard | 3 | |
| 15 | 00775307040401050 | Label- Safety Arm | 2 | |
| 16 | 00775307080402170 | Label- Max Manual Force | 1 | |
| 17 | 00775307080401060 | Label- Platform Power Rated Voltage | 1 | |
| 18 | 00775307040401100 | Danger- Tip-over Hazard | 1 | |
| 19 | 00775307080402130 | Label- Pre-operation Inspection | 1 | |
| 20 | 00775307080202140 | Label- Charger Power Supply | 1 | |
| 21 | 00775207020201020 | Label- Lithium-ion Battery (ZS2632HD/DC/HA/AC-Li only) | 2 | |
| 22 | 00775307080401040 | Label- High pressure liquid hazard | 1 | |
| 23 | 00775307040401070 | Label- Notice, Close tray | 2 | |
| 24 | 00775307040401060 | Label- Use safety arm | 1 | |
| 25 | 00775307080401020 | Label- Electrocution hazard | 1 | |
| 26 | 00775307010402050 | Label- Battery tray quality warranty | 1 | |
| 27 | 00775307020401010 | Label- Brake release (ZS2632HD/HA/HD-Li/HA-Li only) | 1 | |
| 28 | 00775609900401040 | Nameplate | 1 | |
| 29 | 00775307080401080 | Label- non-insulated | 1 | |

ZS2632/ZS2032 Series Extension Deck Installation

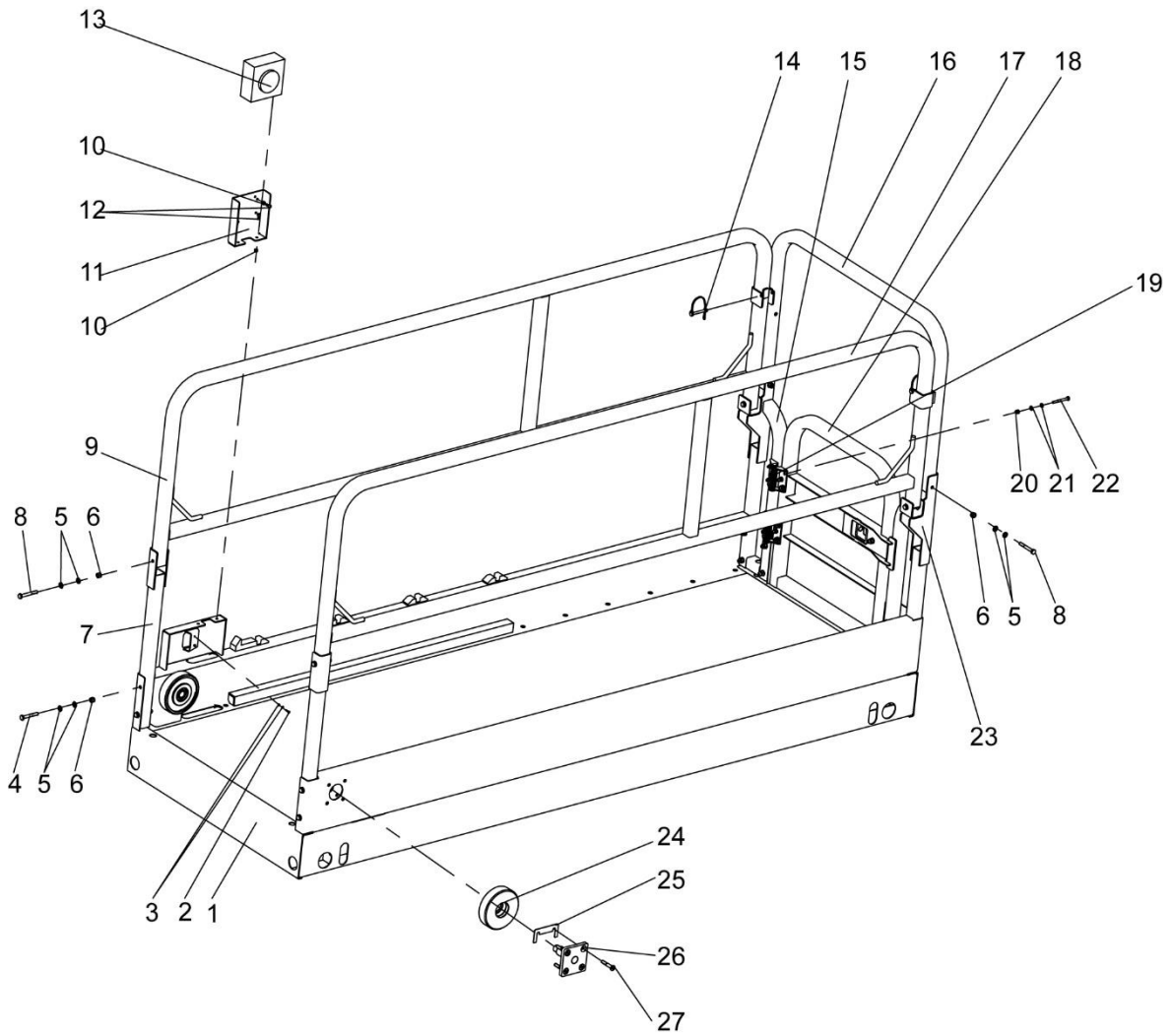


WORK PLATFORM

ZS2632/ZS2032 Series Extension Deck Installation

| NO. | Material No. | Item and Spec | Units | Remark |
|-----|-------------------|----------------------------|-------|----------------|
| 1 | 1040000156 | Bolt M8×60 | 14 | GB/T5783-2000 |
| 2 | 1040300066 | Washer 8 | 28 | GB/T97.1-2002 |
| 3 | 1040200503 | Nut M8-8 | 14 | GB/T889.1-2000 |
| 4 | 00775400101800000 | Lower components | 1 | |
| 5 | 00775400101400000 | Cranked link | 4 | |
| 6 | 00775400100600000 | Guard rails I | 1 | |
| 7 | 00775400101200000 | Guard rails III | 1 | |
| 8 | 1999904986 | Storage box | 1 | |
| 9 | 1040102341 | Screw M5×12-8.8 | 4 | GB/T70.1-2000 |
| 10 | 1040300048 | Washer 5 | 4 | GB/T97.1-2002 |
| 11 | 1040200867 | Nut M5 | 4 | GB/T889.1-2000 |
| 12 | 1100400025 | D PIN 6.3×55 | 2 | |
| 13 | 00775400101000000 | Guard rails II | 1 | |
| 14 | 1040000114 | Bolt M10×25 | 2 | GB/T5783-2000 |
| 15 | 1040300067 | Washer 10 | 2 | GB/T93-1987 |
| 16 | 1040300061 | Washer 10 | 2 | GB/T97.1-2002 |
| 17 | 00775600100800000 | Pedal | 1 | |
| 18 | 00775600102600000 | Pulley assembly | 2 | |
| 19 | 00775600100001020 | Gasket I | 2 | |
| 20 | 1040102718 | Screw M8×50 | 8 | GB/T70.1-2000 |
| 21 | 00775600102400000 | Platform pin mounting base | 2 | |

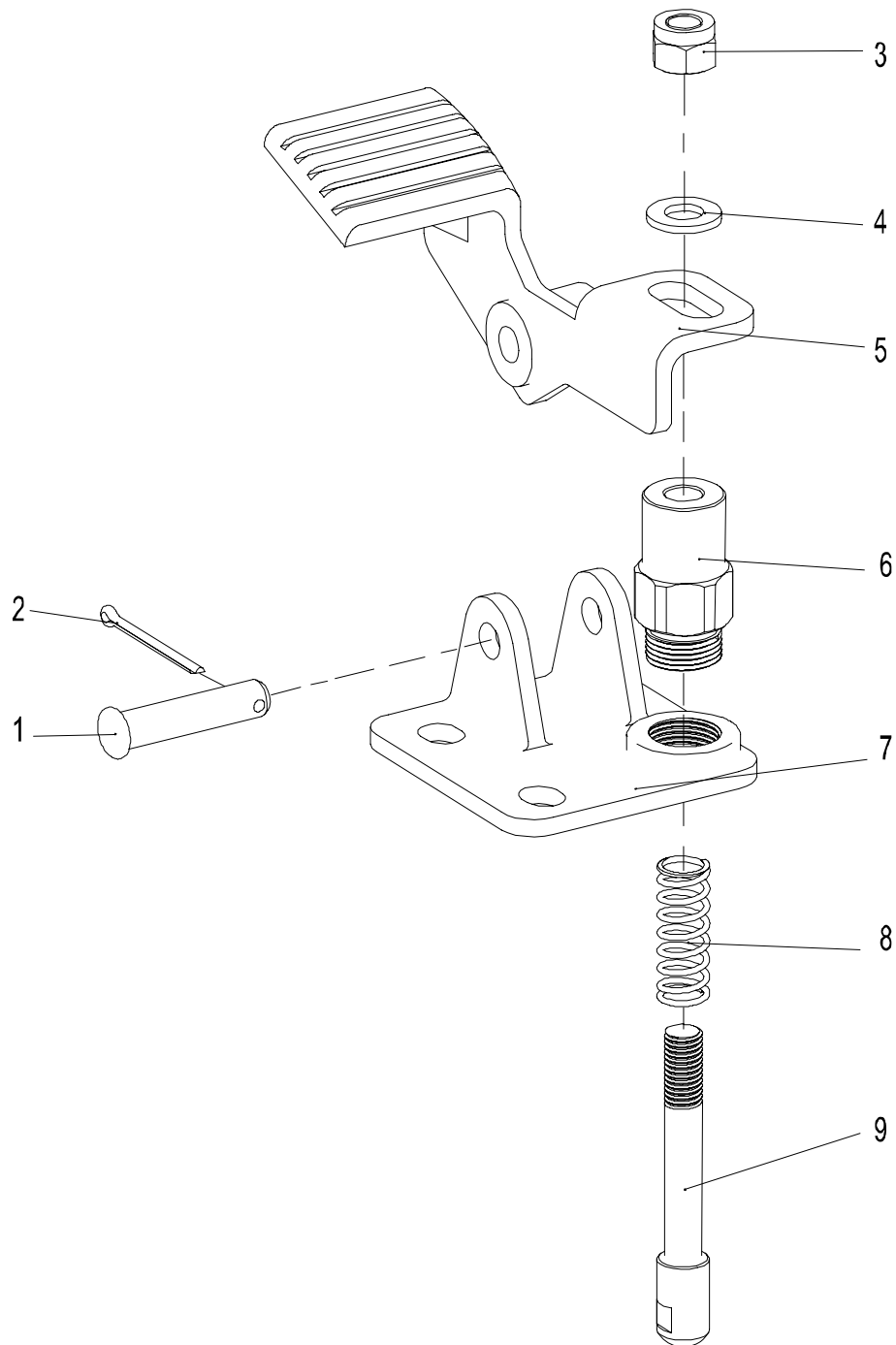
ZS2632/ZS2032 Series Platform Installation



WORK PLATFORM

ZS2632/ZS2032 Series Platform Installation

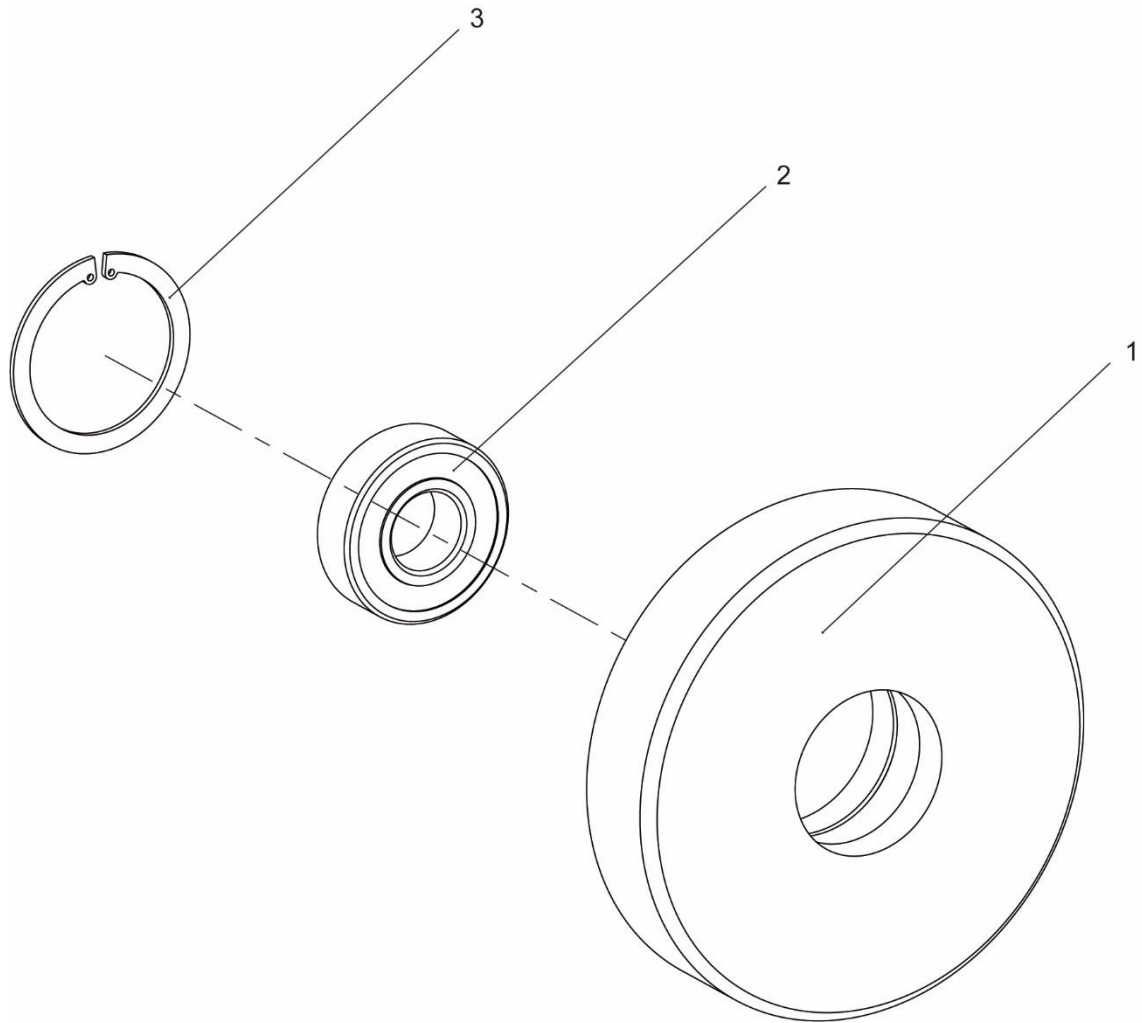
| NO. | Material No. | Item and Spec | Units | Remark |
|-----|-------------------|------------------------------|-------|----------------|
| 1 | 00775400102800000 | Lower components | 1 | |
| 2 | 1040101640 | Screw M3×10-A2-70 | 2 | GB/T818-2000 |
| 3 | 1040201166 | Nut M3-A2-70 | 4 | GB/T6170-2000 |
| 4 | 1040000469 | Bolt M6-8 | 12 | GB/T889.1-2000 |
| 5 | 1040300066 | Washer 8 | 34 | GB/T97.1-2002 |
| 6 | 1040200503 | Nut M8-8 | 16 | GB/T889.1-2000 |
| 7 | 00775400101600000 | Cranked link | 2 | |
| 8 | 1040000156 | Bolt M8×60-8.8 | 6 | GB/T5782-2000 |
| 9 | 00775400100800000 | Guard rails II | 1 | |
| 10 | 1040200867 | Nut M5 | 6 | GB/T889.1-2000 |
| 11 | 00775606300801010 | Power mounting plate | 1 | |
| 12 | 1040102341 | Screw M5×12-8.8 | 6 | GB/T70.1-2000 |
| 13 | 00775406640200000 | Platform AC assembly | 1 | |
| 14 | 1100400025 | D Pin 6.3×55 | 2 | |
| 15 | 00775400102400000 | Guard rails mounting base II | 1 | |
| 16 | 00775400102200000 | Guard rails III | 1 | |
| 17 | 00775400100400000 | Guard rails I | 1 | |
| 18 | 00775600101800000 | Platform gate | 1 | |
| 19 | 1101000163 | Spring hinge | 2 | |
| 20 | 1040200506 | Nut M6-8 | 12 | GB/T889.1-2000 |
| 21 | 1040300051 | Washer 6 | 24 | GB/T97.1-2002 |
| 22 | 1040001185 | Bolt M6×50-8.8 | 12 | GB/T5783-2000 |
| 23 | 00775400102000000 | Guard rails mounting base I | 1 | |
| 24 | 00775600102200000 | Mounting pulley assembly | 2 | |
| 25 | 00775600100001020 | Gasket I | 2 | |
| 26 | 00775600102400000 | Platform pin mounting base | 2 | |
| 27 | 1040102718 | Screw M8×50 | 8 | GB/T70.1-2000 |

Pedal Installation

Pedal Installation

| NO. | Material No. | Item and Spec | Units | Remark |
|------------|---------------------|----------------------|--------------|----------------|
| 1 | 1040500606 | Pin B10×45 | 1 | GB/T882-2008 |
| 2 | 1040500214 | Split pin 3.2×40 | 1 | GB/T91-2000 |
| 3 | 1040200504 | Nut M10-8 | 1 | GB/T889.1-2000 |
| 4 | 1040300061 | Washer 10 | 1 | GB/T97.1-2002 |
| 5 | 00775600100801020 | Pedal | 1 | |
| 6 | 00775600100801040 | Sleeve | 1 | |
| 7 | 00775600100801050 | Plate | 1 | |
| 8 | 00775600100801030 | Spring | 1 | |
| 9 | 00775600100801060 | Bayonet lock | 1 | |

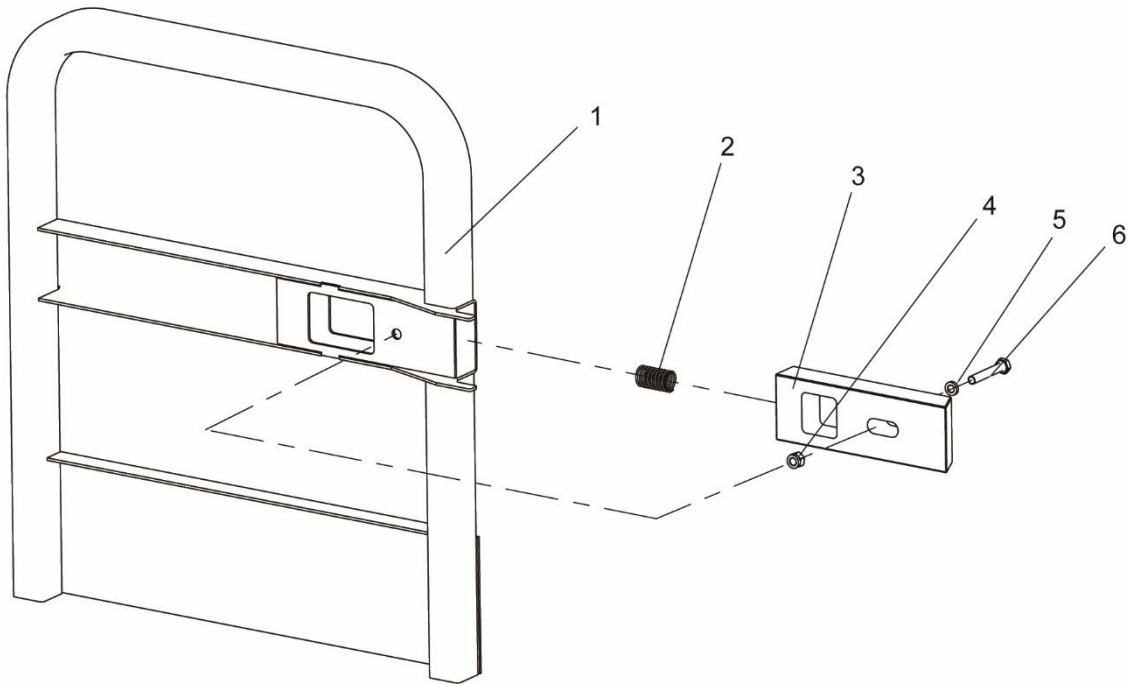
Platform Pulley Installation



Platform Pulley Installation

| NO. | Material No. | Item and Spec | Units | Remark |
|-----|-------------------|--------------------------|-------|----------------|
| 1 | 1040300082 | Retaining ring 47 | 1 | GB/T893.1-1986 |
| 2 | 1050201257 | Bearing 6204-2RS | 1 | GB/T276-1994 |
| 3 | 00775600102201010 | Platform mounting pulley | 1 | |

Platform Gate



Platform Gate

| NO. | Material No. | Item and Spec | Units | Remark |
|-----|-------------------|--|-------|----------------|
| 1 | 00775600101810000 | Platform Gate Weldment | 1 | |
| | 00775200101010000 | Platform Gate Weldment (ZS1530 Series only) | 1 | |
| 2 | 00775600101801020 | Spring | 1 | |
| 3 | 00775600101801010 | Key cylinder | 1 | |
| 4 | 1040200503 | Nut M8-8 | 1 | GB/T889.1-2000 |
| 5 | 1040300066 | Washer 8 | 1 | GB/T97.1-2002 |
| 6 | 1040000469 | Bolt M8×55 | 1 | GB/T5783-2000 |